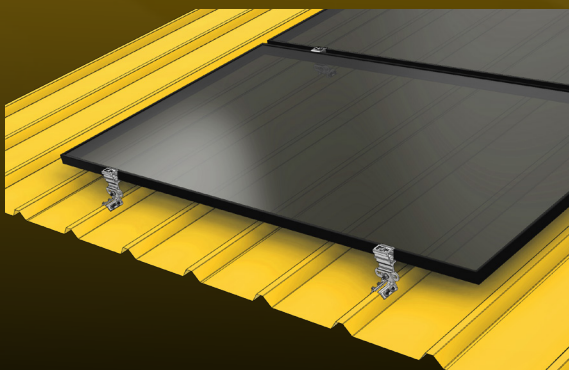


S-5!®

The Right Way

Protea™ PV



Save time and money with one solution!

A universal mounting system for installing solar PV modules on trapezoidal-rib metal roof profiles.

Protea™ PV combines the adjustability of the ProteaBracket™ with the ease of PVKIT®, making it a cost-effective and innovative way to install solar PV modules.

Protea PV comes preassembled with Mid or Edge configurations for an easy, efficient installation right out of the box. The Protea PV's bonding and grounding features ensure an effective electrical connection between module frames, meeting UL 2703 requirements.



Features and Benefits

Fits almost all trapezoidal exposed-fastened metal roofs

Attachment designed for 28mm - 40mm framed solar PV modules

Electrically bonds and grounds solar modules along the column

Peel-and-stick EPDM ensures a long-lasting, waterproof seal tested to ASTM E2140

Unsurpassed holding strength

Reduces installation time by up to 50%

85% lighter than railed systems, providing 25 % better load distribution

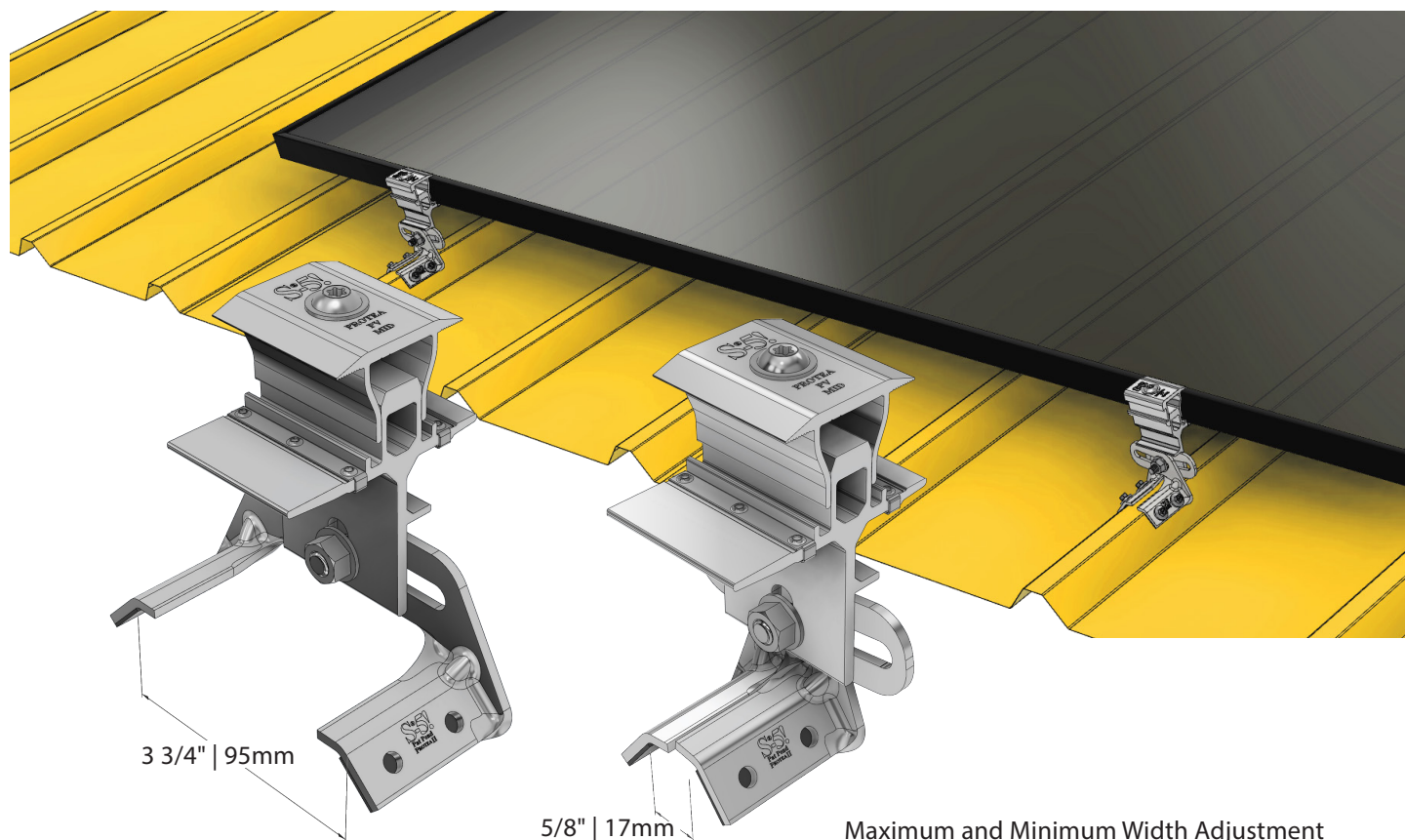
Up to 50% savings in freight cost

Easy installation; comes preassembled



Protea™ PV

The Right Way to attach solar PV to trapezoidal roof profiles!



A factory-applied EPDM rubber sealant features a pressure-sensitive adhesive that weatherproofs and makes installation quick and easy. Simply peel back the paper protecting the adhesive and stick the Protea PV on the roof before fastening to ensure an accurate and secure placement. The Protea PV is mounted directly onto the crown of

the panel, straddling the trapezoidal rib. This method of attachment assures unsurpassed holding strength. Secure the bracket to the roof sheeting using 4 (included) 1" self-piercing screws.

Protea PV holds solar panels in place without using rails. This allows precise module engagement and complete

flexibility in module placement. The product's 6000 Series Aluminum and 304 stainless steel components alleviates the worry of corrosion. The Protea PV fits virtually all solar panels on the market, and eliminates multiple components traditionally required to secure solar PV arrays to trapezoidal metal roofs.

S-5! stands as the preferred choice for superior quality and effortless installation, earning endorsements from every major roof manufacturer.

S-5!® Warning! Please use this product responsibly!

For published data regarding holding strength, bolt torque, patents, and trademarks, visit the S-5! website at www.S-5.com.

Copyright 2024, Metal Roof Innovations, Ltd. S-5! aggressively protects its products, patents, trademarks and copyrights.

Distributed by