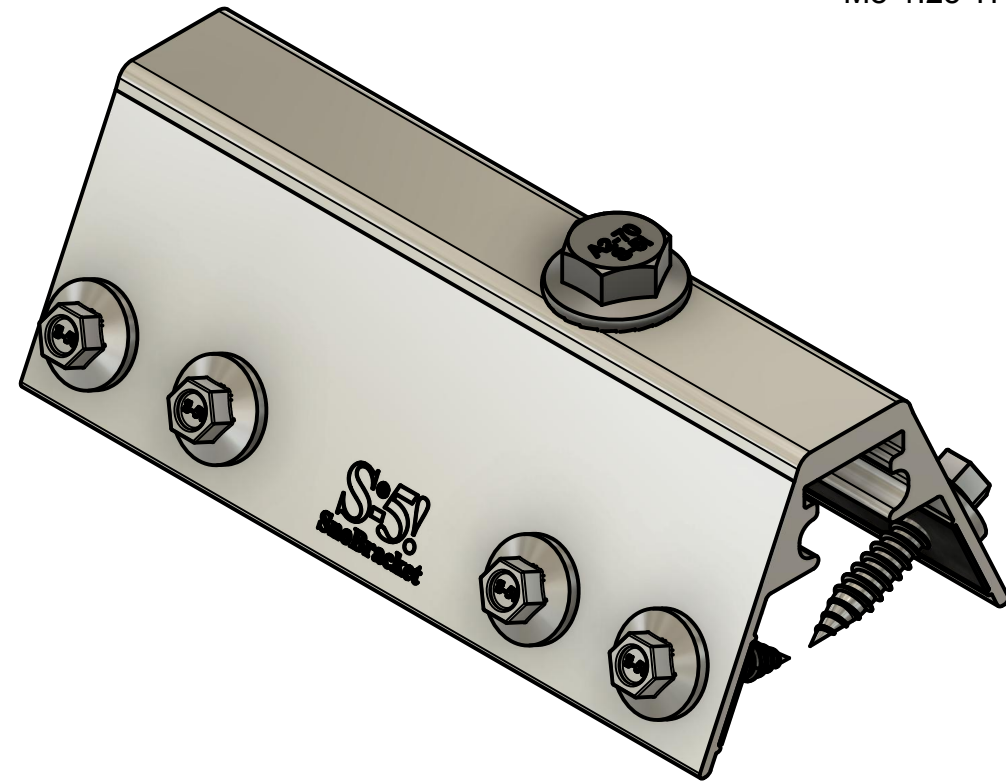
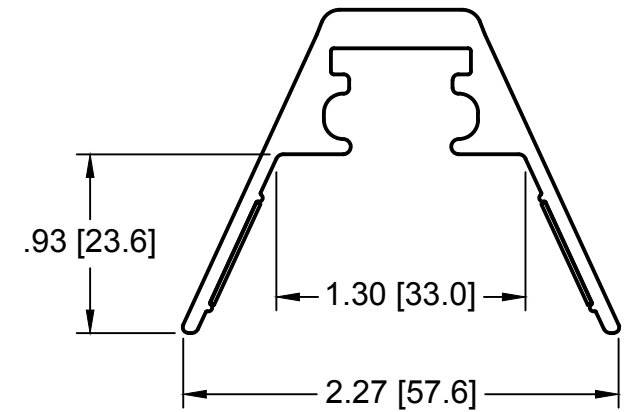
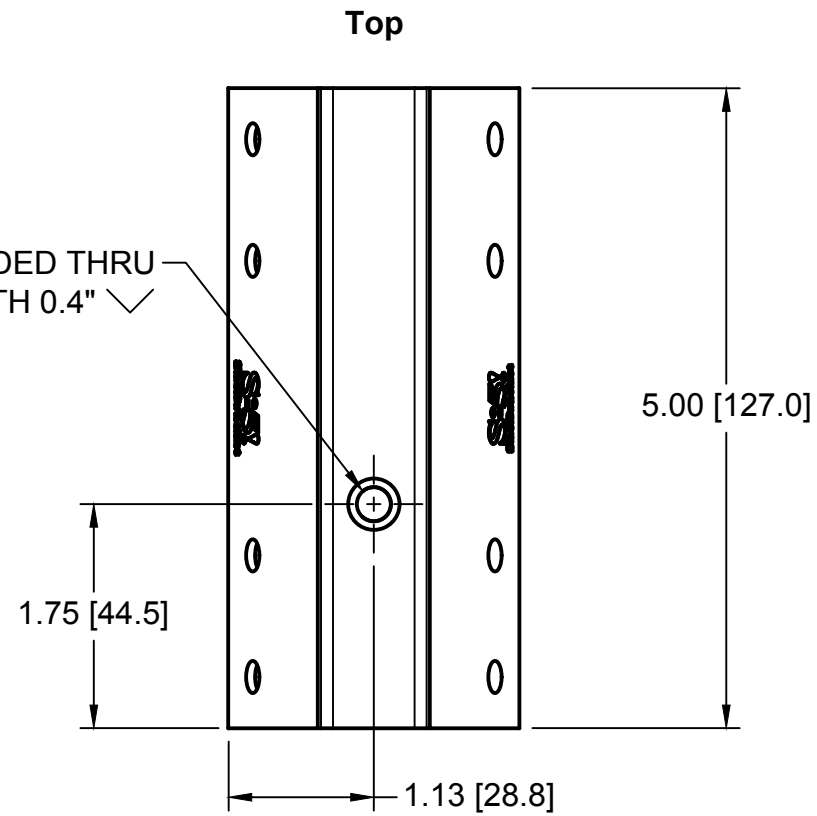


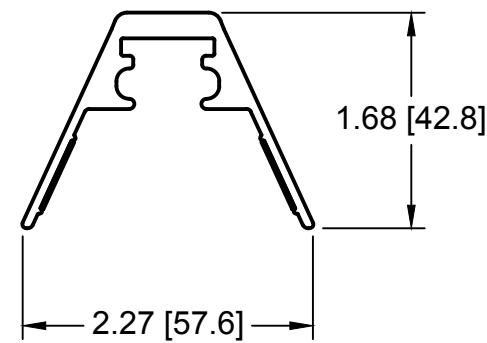
SnoBracket



M8-1.25 THREADED THRU
WITH 0.4" ∇

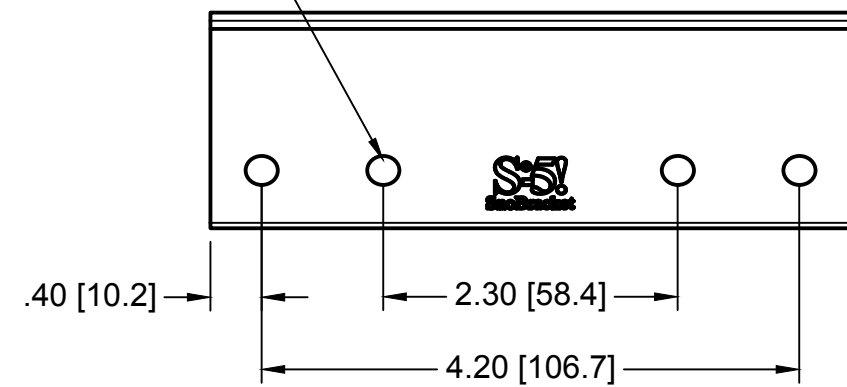


Front



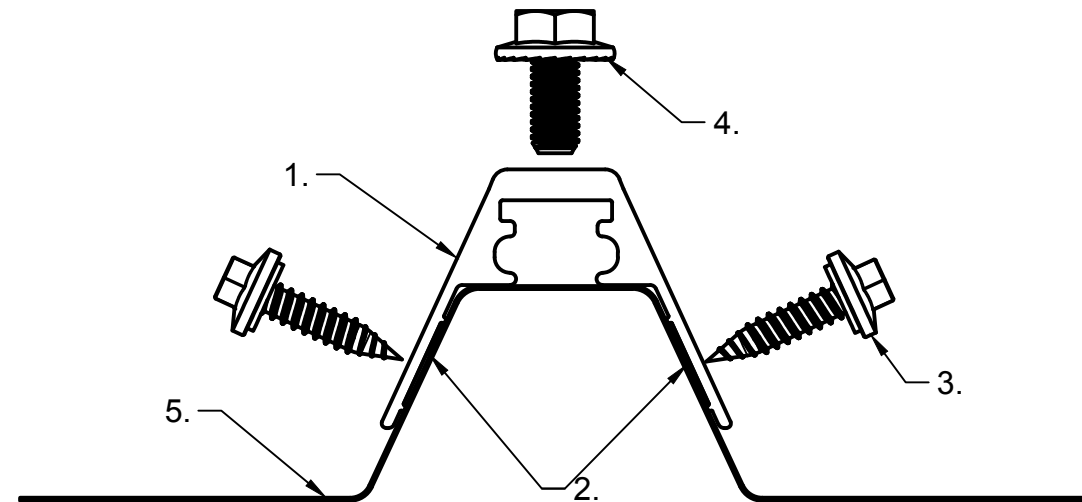
Right

(8X)0.25" THRU HOLE



General Notes:

1. SnoBracket
2. EPDM Gasket
3. M8-1.25 16mm Bolt
4. 1" Piercing Screw
5. Example Roof



MATERIAL: 6061 T6 Al	S-5! [®]	METAL ROOF INNOVATIONS, LTD. 8750 WALKER RD COLORADO SPRINGS, CO 80908 719-495-0518 719-495-0045 (FAX)	
EST ASSEMBLY WT: 0.859 lbs			
HARDWARE: M8-1.25 16mm Bolt, (4X) 1" Piercing Screw	TITLE SnoBracket [CCD]		
	DRAWING NO. ST75-A-10-A	DRAWN BY SNLR	DATE 06/15/2022
	SCALE 1:1	FILE NAME ST75-A-10-A (SnoBracket) [CCD]	
S-5!® PRODUCTS ARE PROTECTED BY MULTIPLE U.S. AND FOREIGN PATENTS. VISIT OUR WEBSITE AT WWW.S-5.COM FOR COMPLETE INFORMATION ON PATENTS AND TRADEMARKS			