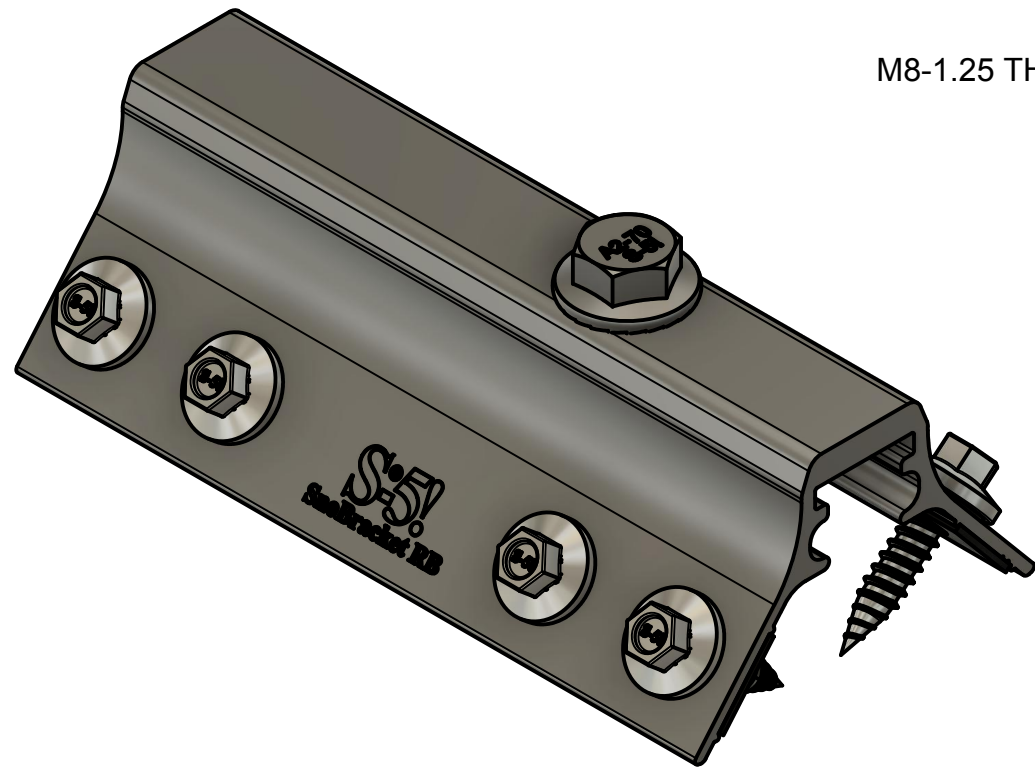
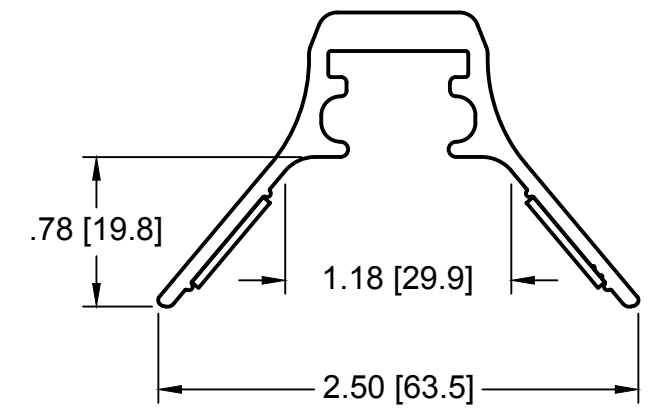
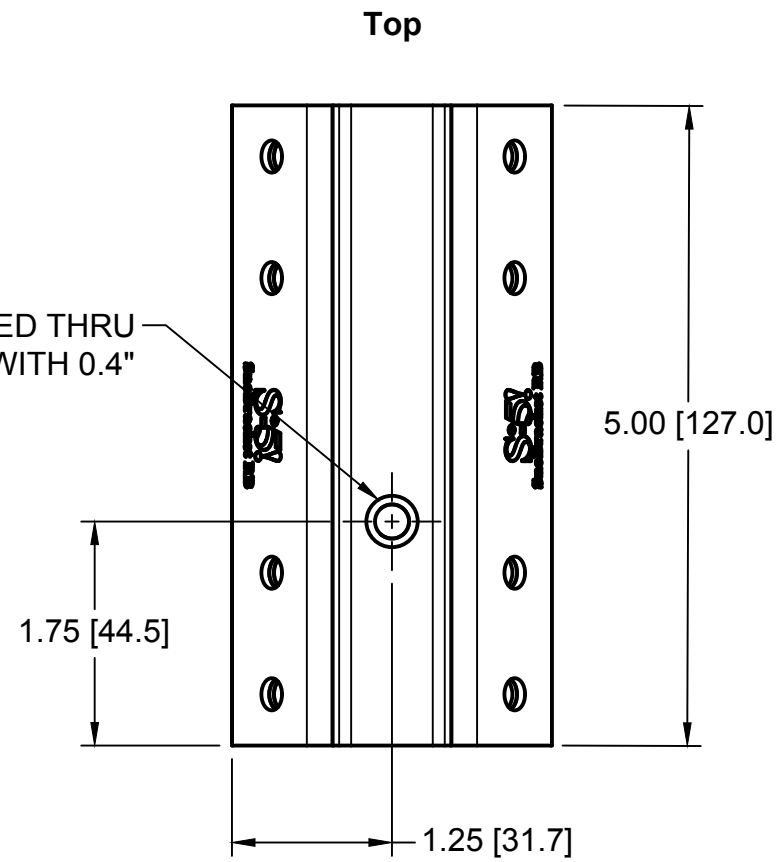


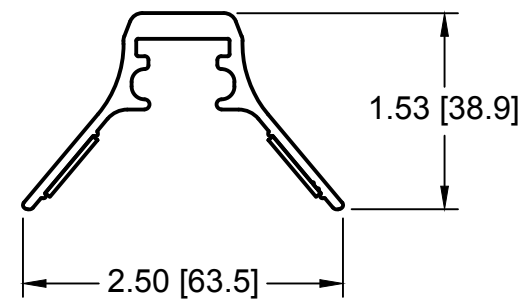
SnoBracket RB



M8-1.25 THREADED THRU WITH 0.4"

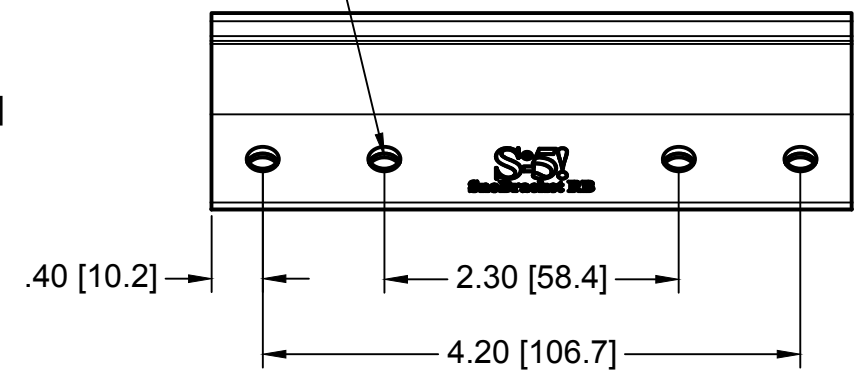


Front



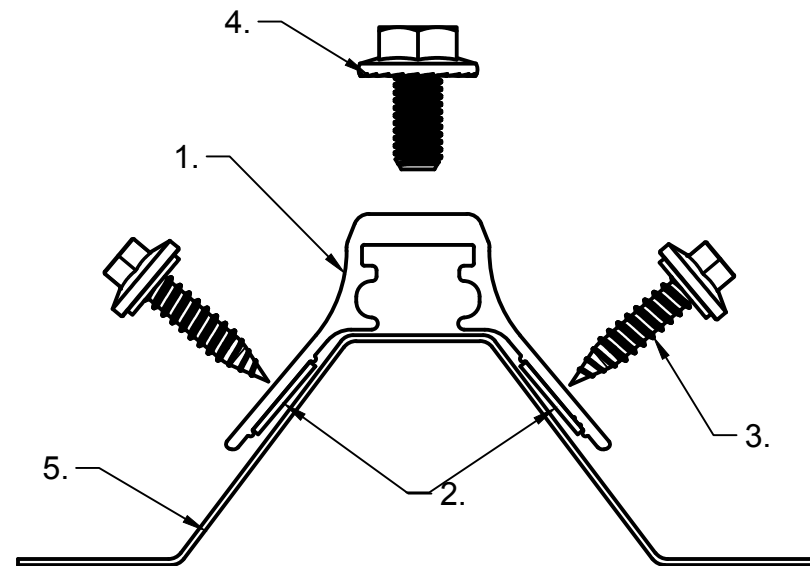
Right

(8X) 0.25" THRU HOLE



General Notes:

1. SnoBracket RB
2. EPDM Gasket
3. M8-1.25 16mm Bolt
4. 1" Piercing Screw
5. Example Roof



MATERIAL: 6061 T6 Al	S-5! [®]	METAL ROOF INNOVATIONS, LTD.	
EST ASSEMBLY WT: 0.734 lbs		8750 WALKER RD COLORADO SPRINGS, CO 80908 719-495-0518 719-495-0045 (FAX)	
HARDWARE: M8-1.25 16mm Bolt, (4X) 1" Piercing Screw	TITLE SNOBRACKET RB [CCD]		
	DRAWING NO. UST93-A-20-B	DRAWN BY SNLR	DATE 06/15/2022
	SCALE 1:1.5	FILE NAME UST93-A-20-B (SNOBRACKET RB) [CCD]	
S-5!® PRODUCTS ARE PROTECTED BY MULTIPLE U.S. AND FOREIGN PATENTS. VISIT OUR WEBSITE AT WWW.S-5.COM FOR COMPLETE INFORMATION ON PATENTS AND TRADEMARKS			