

S-5![®]

The Right Way

SnoBracket™ TB and SnoBracket™ RB

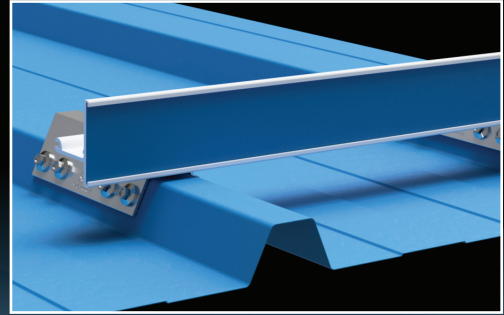
When mounting snow retention systems to your insulated metal panel (IMP) roofs, you need attachments built to restrain potentially dangerous accumulated snowpack from avalanching and maintain your panels' high insulating values. SnoBracket is a sheeting-only bracket created specifically for trapezoidal-ribbed IMPs, and it comes in two sizes to fit popular rib profile dimensioning. When paired with S-5! ColorGard®, SnoBracket offers an ideal snow retention solution with durable, tested, watertight and proven products.

Protect Your Insulated Metal Roof's Thermal and Moisture Barrier

IMPs deliver energy savings, high R-values and protection against condensation. SnoBracket protects your IMP investment by securing into only the upper portion of the panel to prevent thermal bridging to the internal structure. Moreover, SnoBracket protects your roof with factory-applied, premium, closed-cell EPDM rubber gaskets, creating a positive seal against water intrusion.

Angled Attachments Provide Greater Strength

SnoBracket attaches to your IMP trapezoidal rib in shear using (8) 1-inch, self-piercing fasteners (4 fasteners on each side) resulting in much greater holding capacity.



FEATURES AND BENEFITS

- Available in two sizes to fit most trapezoidal profiles
- Sheeting-only attachment prevents thermal bridging with proven strength
- Compatible with S-5! ColorGard snow retention system
- ASTM E2140 testing and factory-applied EPDM seals prevent leaks
- Corrosion-resistant materials warranted for the life of your roof
- Endorsed by multiple IMP manufacturers

The right way to attach almost anything to metal roofs!

SnoBracket™



888-825-3432 | www.s-5.com

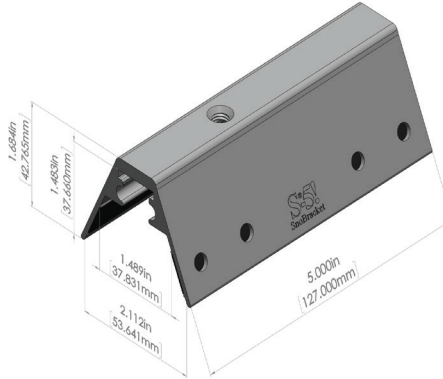


Tailored for U.S. and international markets, SnoBracket comes in two sizes – SnoBracket TB and SnoBracket RB – to fit popular IMPs and offer easy installation any season of the year.



SnoBracket TB paired with the ColorGard® snow retention system

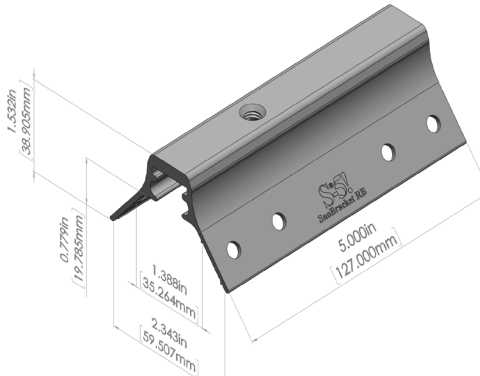
SNOBRACKET™ TB



Compatible with 1.22" (31 mm) horizontal top dimension trapezoidal profiles such as:

- KingSpan KingRib
- Vicwest HR3/HR5
- AWIP HR3/HR5
- and similar profiles

SNOBRACKET™ RB



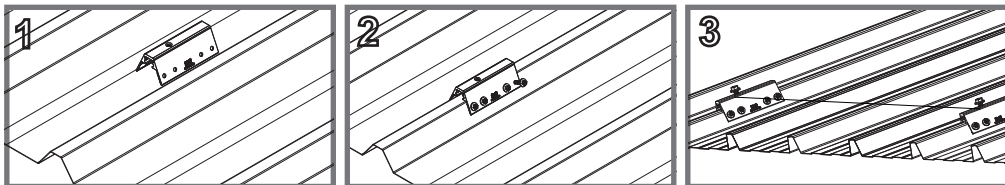
Compatible with 1" (25.4 mm) horizontal top dimension trapezoidal profiles such as:

- Metl-Span LS-36
- and similar profiles

Installation Is Simple!

Installation is simple! Wipe away excess oil and debris at SnoBracket locations. Mount directly to the rib of the panel, straddling the profile. To ensure brackets are installed in a straight line, prepare a single SnoBracket at each end of the assembly at desired location with bolt hole oriented downslope. Secure the bracket to the roof by driving the provided fasteners into the pre-punched holes. Use a string line between the two brackets to mount the remaining SnoBrackets in a row. All 8 pre-punched holes must be used to achieve published tested strength. The SnoBrackets are now ready to install the S-5! ColorGard system with VersaClip.

To design site-specific assemblies, contact our applications engineering team at 888-825-3432 or support@s-5.com.



Note: The SnoBracket TB is represented in the above installation sequence. The steps remain the same for the SnoBracket RB.

S-5!® Warning! Please use this product responsibly!

Products are protected by multiple U.S. and foreign patents. Visit our website for complete information on patents and trademarks. For maximum holding strength, setscrews should be tensioned and re-tensioned as the seam material compresses. Clamp setscrew tension should be verified using a calibrated torque wrench between 160-and 180-inch pounds when used on 22ga steel, and between 130-and 150-inch pounds for all other metals and thinner gauges of steel. Consult www.S-5.com for published data regarding holding strength.

Copyright 2022 Metal Roof Innovations, Ltd. S-5! products are patent protected. S-5! aggressively protects its patents, trademarks, and copyrights. Version 102422.

Distributed by