

S-5![®]

The Right Way

TD Bracket[™]

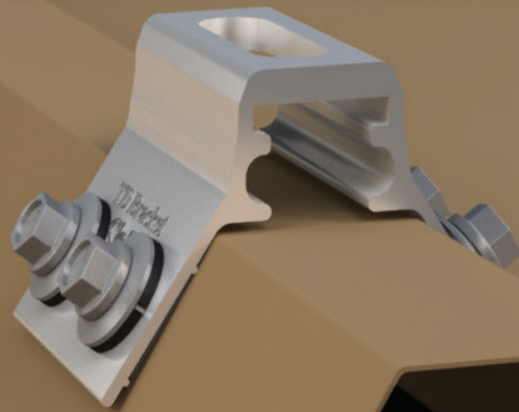
The bracket can be used to mount almost anything onto the most common through-fix, trapezoidal roof profiles marketed in Australia today.

No messy sealants to apply! No chance for leaks! These brackets comes with a factory-applied EPDM rubber gasket seal already on the base, and the reservoir conceals the EPDM from UV exposure, preventing drying and cracks.

Installation is simple! The TD Bracket is mounted directly onto the crown of the panel, straddling the profile. No surface preparation is necessary; simply wipe away excess oil and debris, align, and apply. Secure through the pre-punched holes using the appropriate fasteners or Bulb-tite rivets for the supporting roof material.

These bracket are a perfect match for common solar PV rails and 'L' Feet, or any other ancillary application, without worrying about cold bridging! TDBracket is extremely economical and facilitates quick and easy installation.

The slotted top hole, which accommodates standard M8 nuts and bolts, simplifies alignment and maximizes flexibility in attaching ancillaries.



TD Bracket is specifically designed to fit the common Australian LYSAGHT TRIMDEK[®] and similar roof profiles.

The right way to attach almost anything to metal roofs!

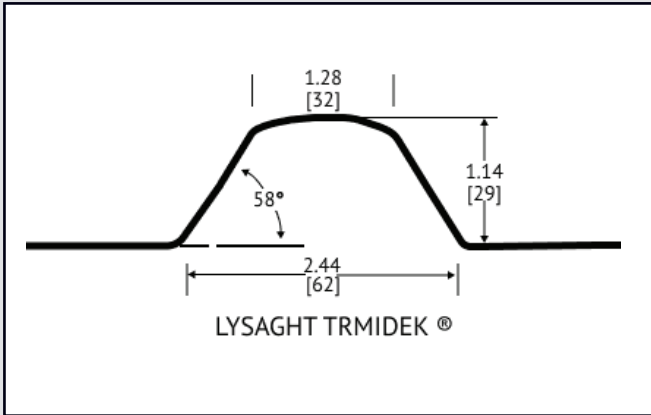
TD Bracket[™]



+61 3 8595 7001 | www.S-5.com |

TD Bracket™ is the perfect attachment solution for specific Australian trapezoidal, exposed-fix metal roofs! It can be used for almost any attachment need. No messy sealants to apply. The factory-applied EPDM rubber gasket weather-proofs and makes installation easy!

Example Profile

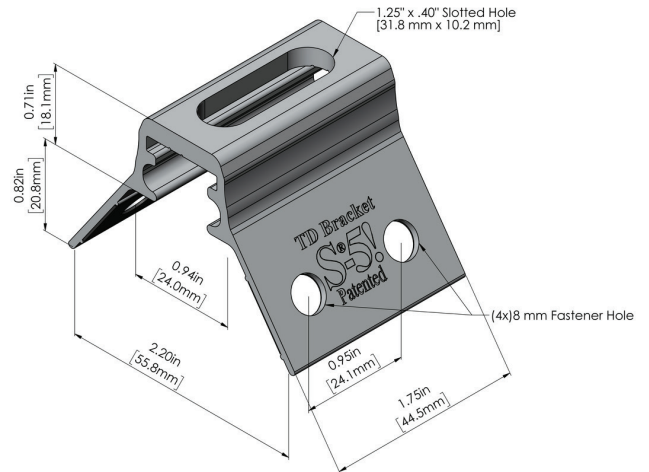


Each TD Bracket comes with a factory-applied EPDM rubber gasket on the base. A structural aluminum attachment bracket, the TD Bracket was specifically designed for LYSAGHT TRIMDEK.

For design assistance, ask your distributor, or visit www.S-5.com for the independent lab test data that can be used for load-critical designs and applications.

Also, please visit our website for more information including AS/NZS 1170.2:2011 spacing arrangements, metallurgical compatibilities and specifications. S-5!® holding strength is unmatched in the industry

TD Bracket™



Designed to fit LYSAGHT TRIMDEK® and similar roof profiles.

S-5!® Warning! Please use this product responsibly!

Products are protected by multiple U.S. and foreign patents. For published data regarding holding strength, fastener torque, patents and trademarks visit the S-5! website at www.S-5.com.

Copyright 2023, Metal Roof Innovations, Ltd.
S-5! aggressively protects its patents, trademarks, and copyrights. Version 081423.

Distributed by