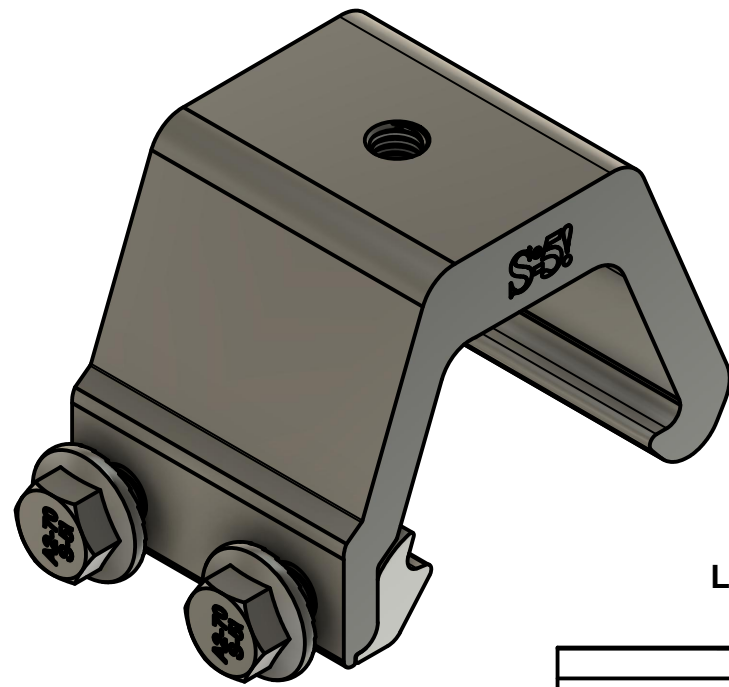


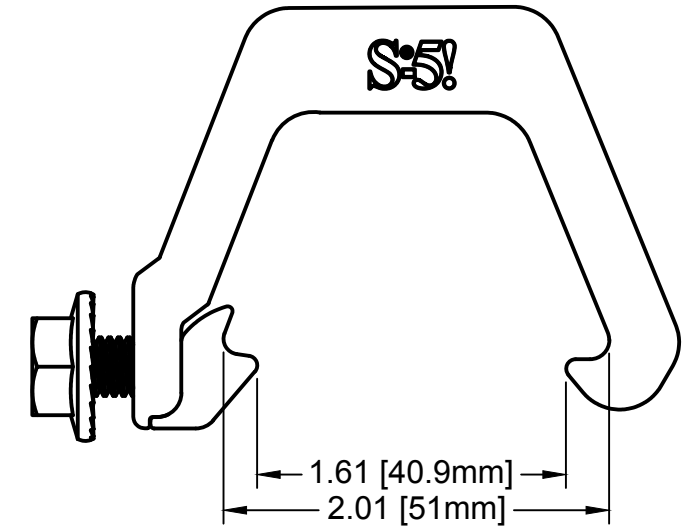
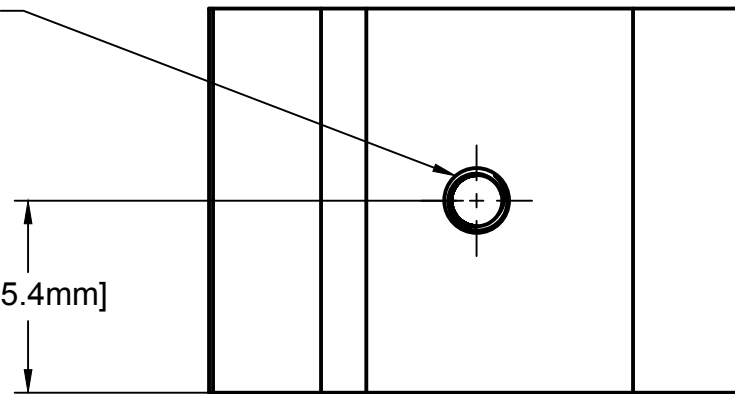
# S-5-D Grip



M8-1.25 DRILL & TAP THRU  
0.035"

1 [25.4mm]

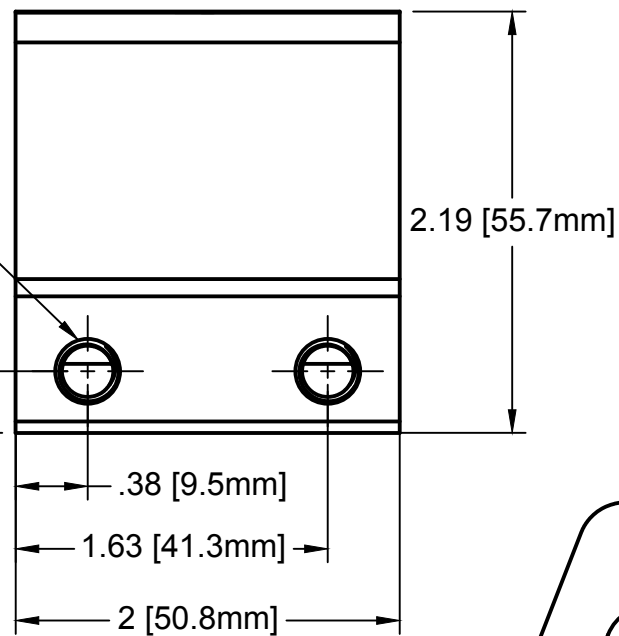
Top



Left

M8-1.25 DRILL & TAP THRU  
0.035"

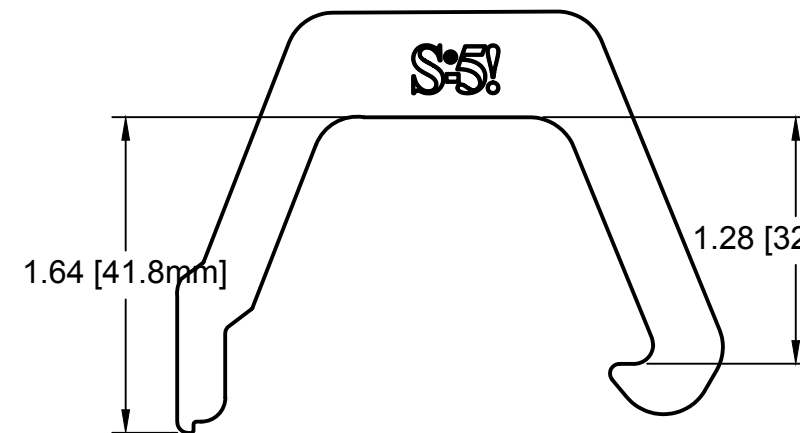
.32 [8.2mm]



Front

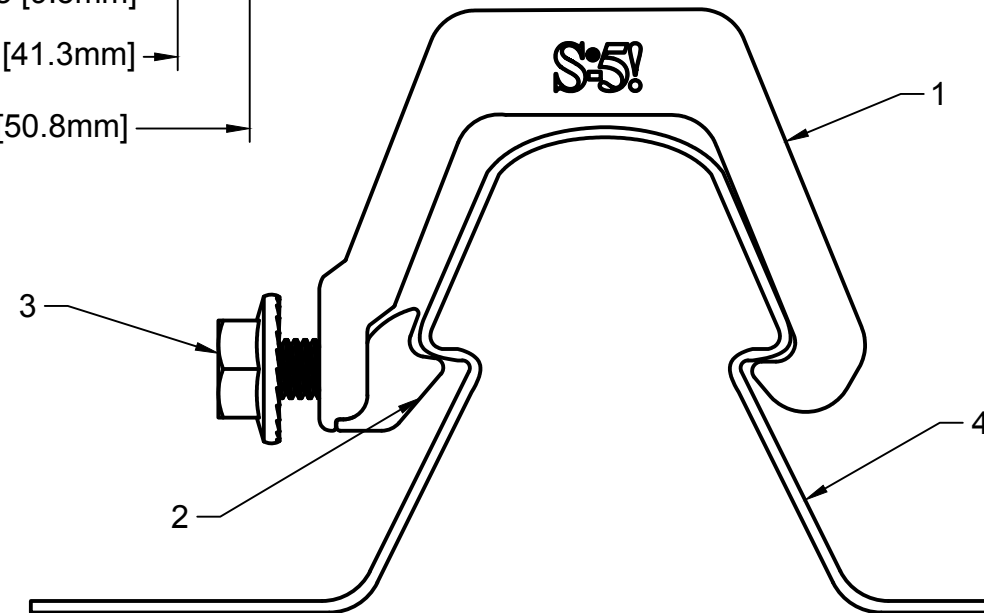
1.64 [41.8mm]

1.28 [32.6mm]



**General Notes:**

1. S-5-D Grip
2. GX50 Insert
3. 16mm 300 Series Stainless Steel M8 Bolt
4. Example Roof



MATERIAL:  
6000 Series Al  
EST ASSEMBLY WT:

HARDWARE:  
(2) M8-1.25X16mm Hex Flange Bolt



METAL ROOF INNOVATIONS, LTD.  
8750 WALKER RD  
COLORADO SPRINGS, CO 80908  
719-495-0518  
719-495-0045 (FAX)

TITLE S-5-D Grip [CCD]		
DRAWING NO. DGXL-A-0-C	DRAWN BY SB	DATE 03/17/2023
SCALE 1:1	FILE NAME DGXL-A-0-C (S-5-D Grip) [CCD]	

S-5!® PRODUCTS ARE PROTECTED BY MULTIPLE U.S. AND FOREIGN PATENTS.  
VISIT OUR WEBSITE AT [WWW.S-5.COM](http://WWW.S-5.COM) FOR COMPLETE INFORMATION ON  
PATENTS AND TRADEMARKS