

# S-5!<sup>®</sup>

## The Right Way

### S-5-D Grip™ Clamp

The S-5-D Grip clamp was specifically developed to fit DimonDek® 630 and other bulb conceal fix roof panels. The design utilizes an insert (sold separately) in order to accommodate a variety of conceal fix profiles. The insert has a unique shape that allows for a tight fit and provides increased holding strength over other attachment options.

The S-5-D Grip also eliminates the large moment arm other clamps use for these profiles. Instead, it features a low mounting surface area, with the mounting bolt directly over the center of the seam. This dramatically increases the strength of the clamp, making it perfect for use with heavy-duty applications.

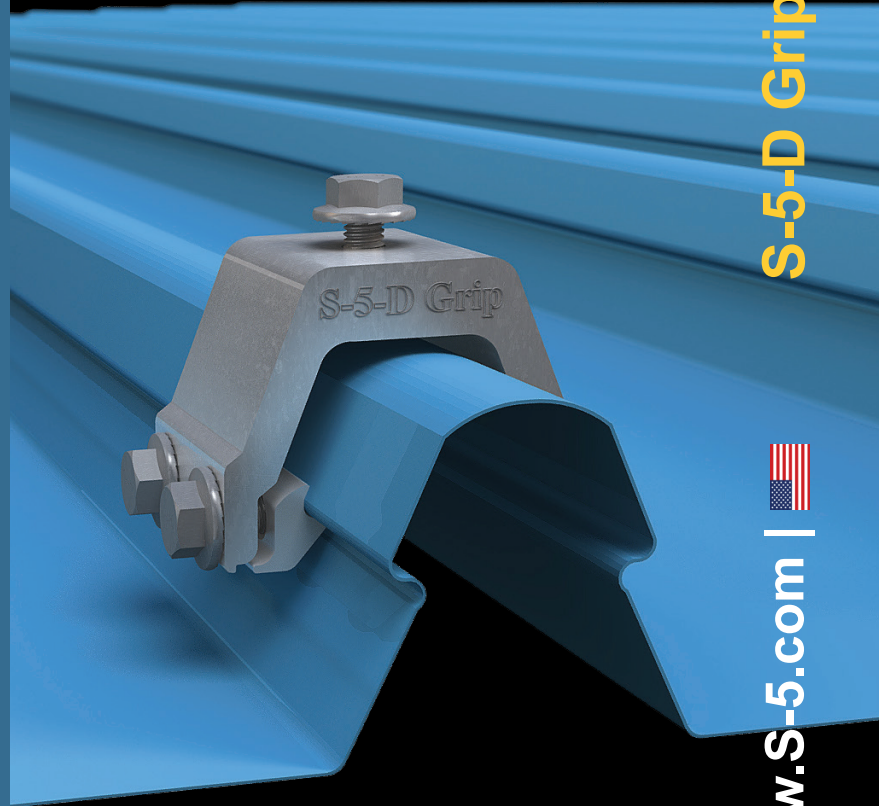
The head of the flanged bolts control the amount of compression, which reduces the possibility of over-compressing the seam, and makes installation a snap!

Just place the clamp on the seam, position the insert piece, and tighten the flanged bolts at the base. Then, affix rooftop items using the top bolt provided. Go to: [www.S-5.com/tools](http://www.S-5.com/tools) for information about properly attaching S-5!® clamps.

### S-5-D Grip Mini Clamp

The S-5-D Grip Mini is a bit shorter than the standard version of the S-5-D Grip and has one base bolt rather than two. The mini is the choice for attaching all kinds of rooftop accessories: signs, walkways, satellite dishes, antennas, rooftop lighting, lightning protection systems, solar arrays, exhaust stack bracing, conduit, condensate lines, mechanical equipment—just about anything!\*

\*S-5! mini clamps are not compatible with, and should not be used with, S-5! SnoRail™/SnoFence™ or ColorGard® snow retention systems.



The S-5-D Grip was specifically developed to fit DimonDek® 630 and other bulb conceal fix roof profiles.

The right way to attach almost anything to metal roofs!

S-5-D Grip and S-5-D Grip Mini



www.S-5.com |

+61 3 8595 7001

# S-5!<sup>®</sup>

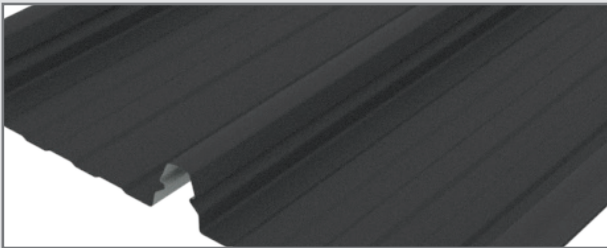
*The Right Way*

The S-5-D Grip™ eliminates the large moment arm and features a low mounting surface area with the mounting bolt directly over the center of the seam, which dramatically increases the strength of the clamp.

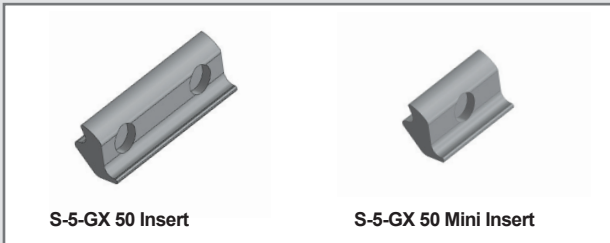
The S-5-D Grip and S-5-D Grip Mini clamps are each furnished with the hardware shown to the right. A structural aluminum attachment clamp, the S-5-D Grip is compatible with most common metal roofing materials excluding copper. All included hardware is stainless steel. Please visit [www.S-5.com](http://www.S-5.com) for more information including CAD details, metallurgical compatibilities, and specifications.

The S-5-D Grip clamp has been tested for load-to-failure results on a variety of standing seam roof profiles from leading panel manufacturers. The independent lab test reports found on our website at [www.S-5.com](http://www.S-5.com) prove that S-5!<sup>®</sup> holding strength is unmatched in the industry.

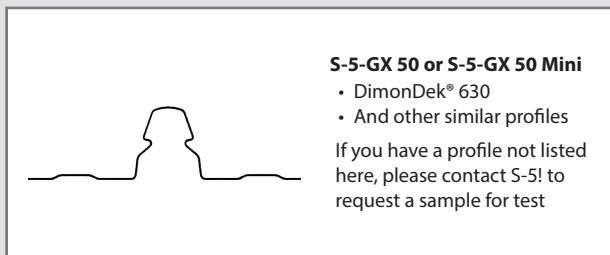
## Example Profile



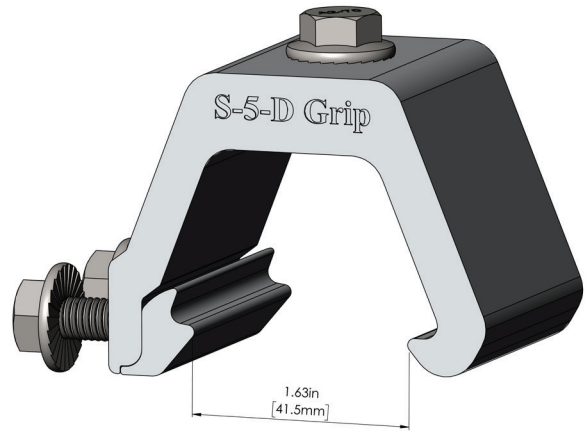
## Insert Options



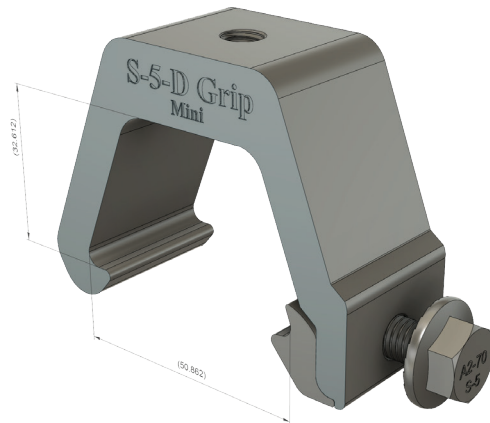
## Profiles



## S-5-D Grip



## S-5-D Grip Mini



Please note: All measurements are rounded to the second decimal place.

### S-5!<sup>®</sup> Warning! Please use this product responsibly!

Products are protected by multiple U.S. and foreign patents. For published data regarding holding strength, fastener torque, patents, and trademarks, visit the S-5! website at [www.S-5.com](http://www.S-5.com).

Copyright 2023 Metal Roof Innovations, Ltd. S-5! products are patent protected. S-5! aggressively protects its patents, trademarks, and copyrights. Version 091823.

Distributed by