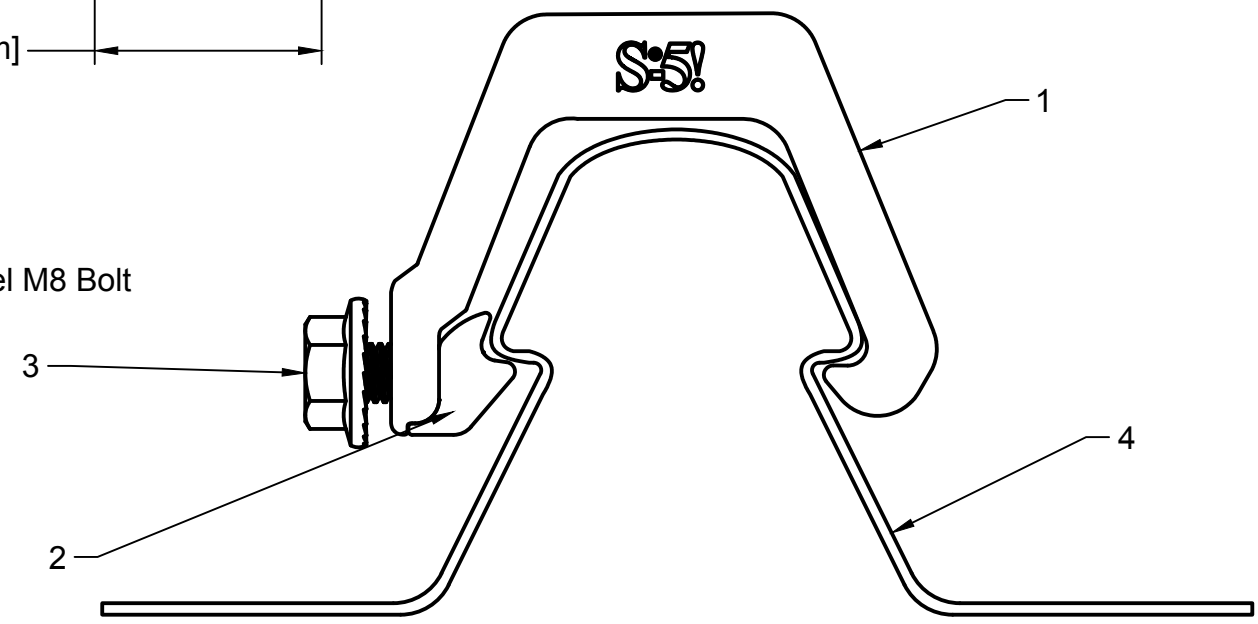
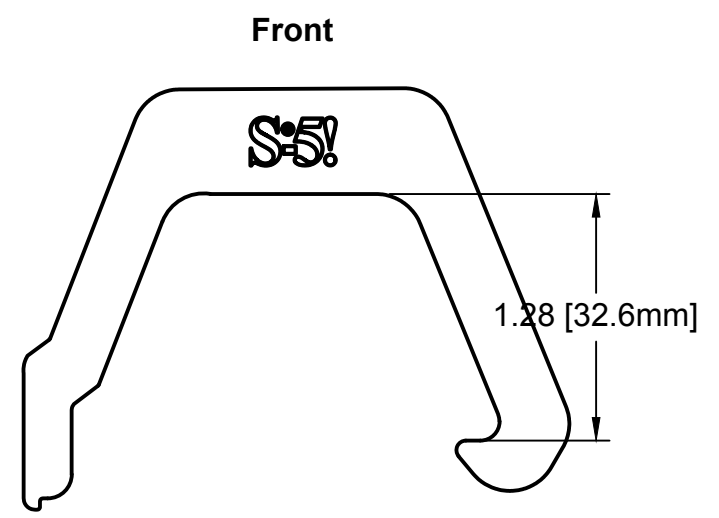
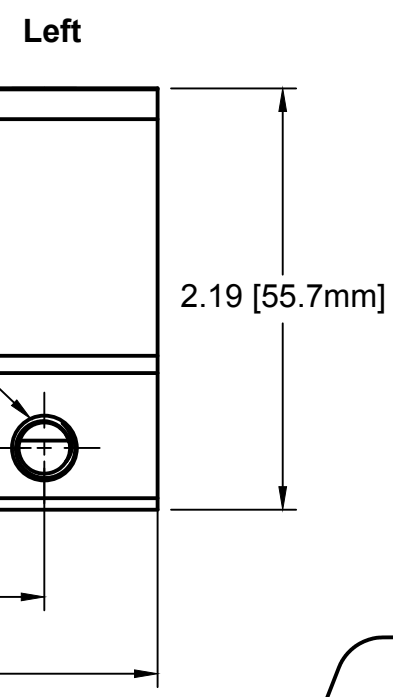
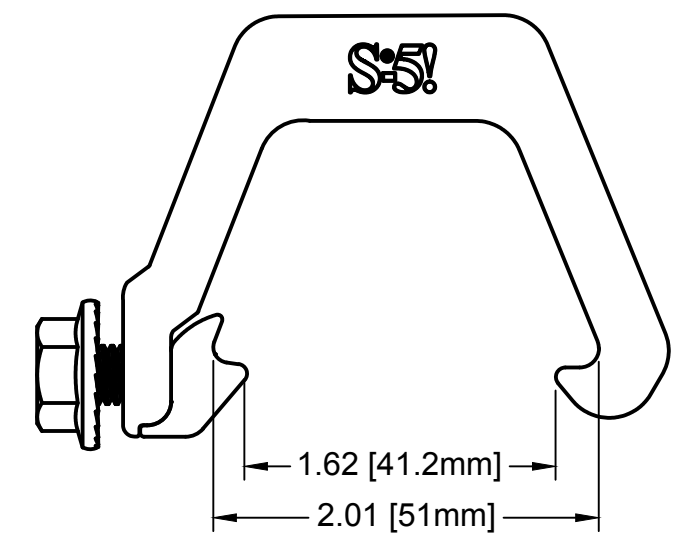
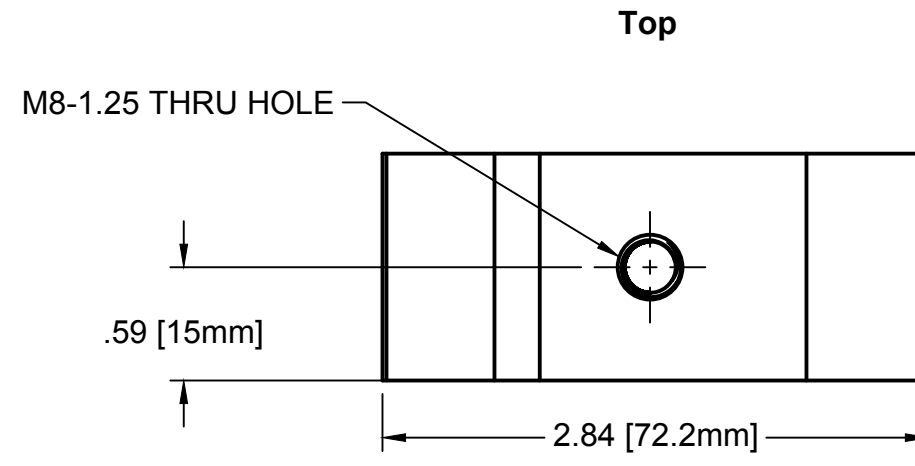
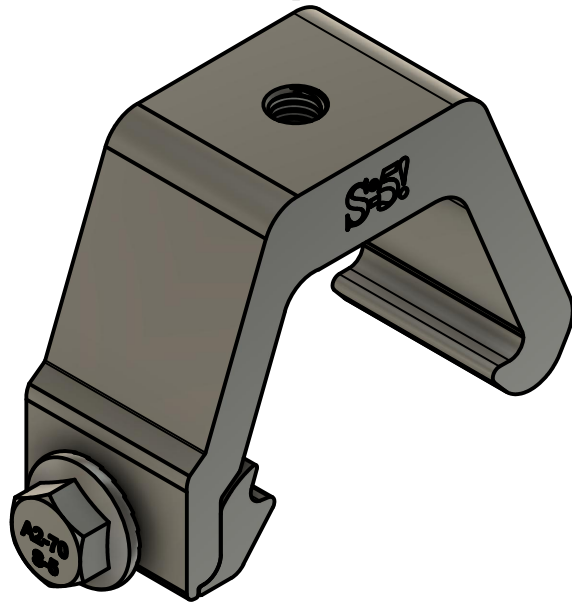


S-5-D Grip Mini



General Notes:

1. S-5-D Grip Mini
2. GX10 Insert
3. 16mm 300 Series Stainless Steel M8 Bolt
4. Example Roof

MATERIAL: 6000 Series Al		METAL ROOF INNOVATIONS, LTD. 8750 WALKER RD COLORADO SPRINGS, CO 80908 719-495-0518 719-495-0045 (FAX)	
EST ASSEMBLY WT:			
HARDWARE: M8-1.25x16mm Hex Flange Bolt	TITLE S-5-D Grip Mini [CCD]		
	DRAWING NO. DGXL-A-0-B	DRAWN BY SB	DATE 03/17/2023
	SCALE 1:1	FILE NAME DGXL-A-0-B (S-5-D Grip Mini)	
S-5!® PRODUCTS ARE PROTECTED BY MULTIPLE U.S. AND FOREIGN PATENTS. VISIT OUR WEBSITE AT WWW.S-5.COM FOR COMPLETE INFORMATION ON PATENTS AND TRADEMARKS			