

S-5![®]

The Right Way

S-5-HR[™]

The First of its Kind for Mounting Solar to Steel & Tube Hi-Rib[®] and Legacy[™] Profiles

Specifically designed to fit these Steel & Tube[®] conceal-fixed metal roof profiles, the S-5-HR attaches a wide range of rooftop accessories including solar arrays—penetration-free. The durable clamp is made from high-quality structural aluminum to match Steel & Tube's long-lasting panel performance.

The HR clamp's simple single-piece design snaps over the roof's rib and uses a stainless steel fastener to engage the roof panel, protecting the roof from corrosion while preserving thermal cycling of the roof panels.

Ideal for commercial or residential projects, you can install the S-5-HR anywhere along the seam for placement flexibility. The clamp tightly engages the roof rib and conforms to its profile, creating a mechanical interlock strong enough to mount most rooftop applications, with certified holding strength.

Install solar arrays using rails or pair the HR with the S-5! PVKIT[®] solar solution for streamlined rail-less solar mounting to save time and money. The PVKIT provides adequate height to accommodate airflow and wire management beneath the modules.

You can easily engineer your mounting system to support walkways, satellite dishes, antennae, rooftop lighting and lightning protection systems. Combine the clamp with the S-5! GRipperFix[®] utility mounting system to attach mechanical equipment or with the CanDuit[™] clamp to secure conduit or condensate lines, utilising the clamp's threaded M8 hole for attachment.

The HR clamps require no maintenance or re-inspection and are warranted for the life of your roof.

Also popular in high wind zones!



FEATURES AND BENEFITS

- Fits Steel & Tube Hi-Rib and Legacy profiles, with unmatched holding strength
- Zero-penetration attachment
- Quick, easy snap-on installation
- Secure and warranted long-lasting quality
- Attaches a wide range of rooftop ancillaries
- Uses the same (T30) drive as the S-5! PVKIT for easy installation
- M8 tapped hole on top for easy compatibility with the PVKIT
- Endorsed by Steel & Tube
- Backed by S-5! design, service and brand integrity

The right way to attach almost anything to metal roofs!

S-5-HR[™] Clamp



888-825-3432 | www.S-5.com |

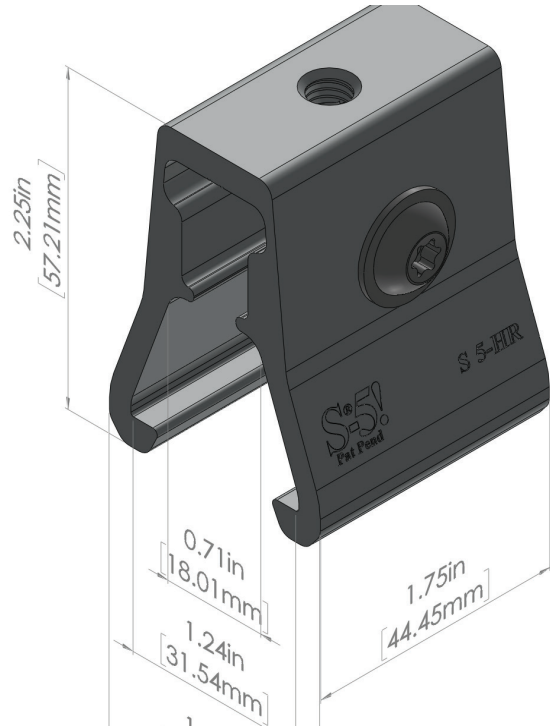


The S-5-HR™ clamp fits Steel & Tube® Hi-Rib® and Legacy™ profiles with unmatched holding strength & pairs easily with PVKIT® for rail-less solar mounting.



The S-5-HR clamp paired with the PVKIT® rail-less solar mounting system.

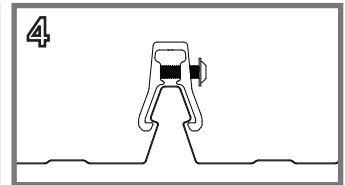
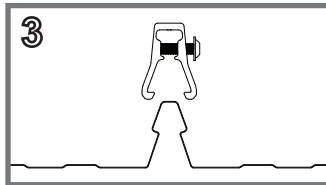
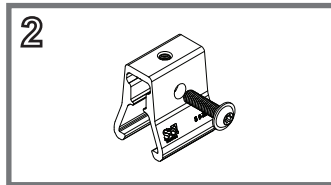
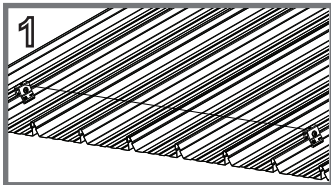
S-5-HR™



Installation Is Simple!

Installation is simple! To ensure clamps are installed in a straight line, prepare a single HR clamp at each end of the roof. Use a string line between the two clamps to ensure remaining HR clamps create a straight row. Install the included M8 bolt by hand into the body of the HR clamps. Once the clamps are assembled, place clamp over the seam in the desired location; then, press down on the clamp to snap the clamp over the roof seam. Tighten the installed M8 bolt. The body of the HR clamp will compress to engage the roof profile. The HR clamps are now ready to install various rooftop ancillaries.

To design site-specific assemblies, contact our applications engineering team at 888-825-3432 or support@s-5.com.



S-5!® Warning! Please use this product responsibly!

Products are protected by multiple U.S. and foreign patents. For published data regarding holding strength, fastener torque, patents and trademarks, visit the S-5! website at www.s-5.com.

Copyright 2023 Metal Roof Innovations, Ltd. S-5! products are patent protected. S-5! aggressively protects its patents, trademarks, and copyrights. Version 042423.

Distributed by