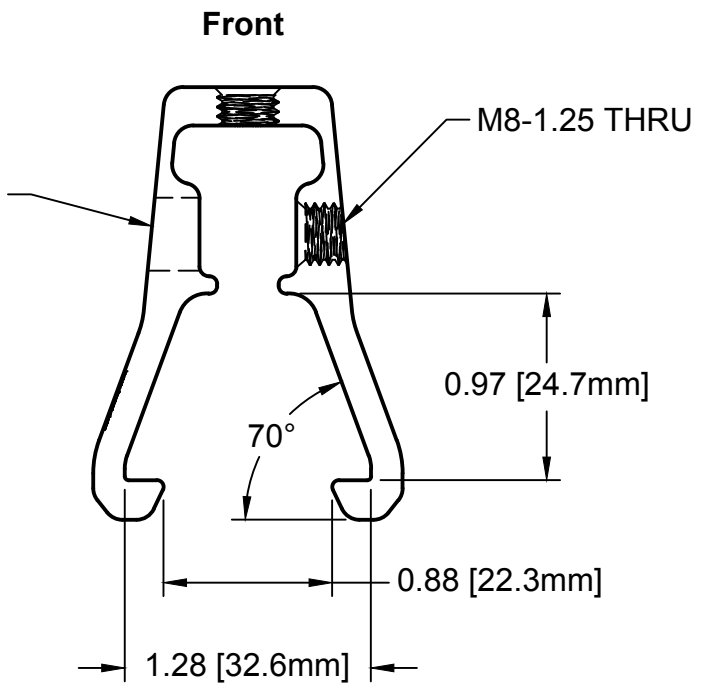
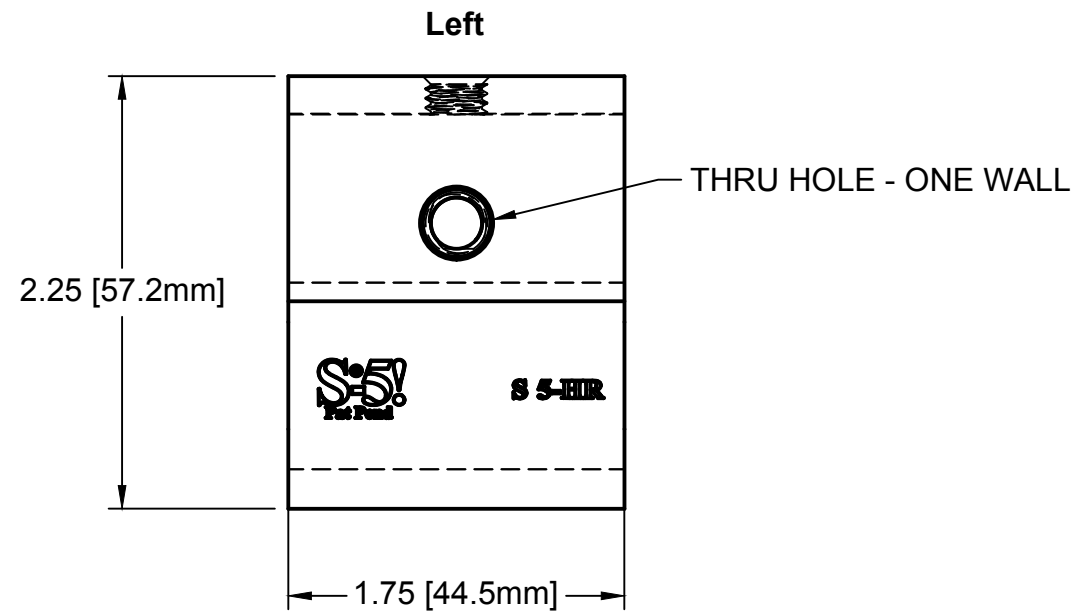
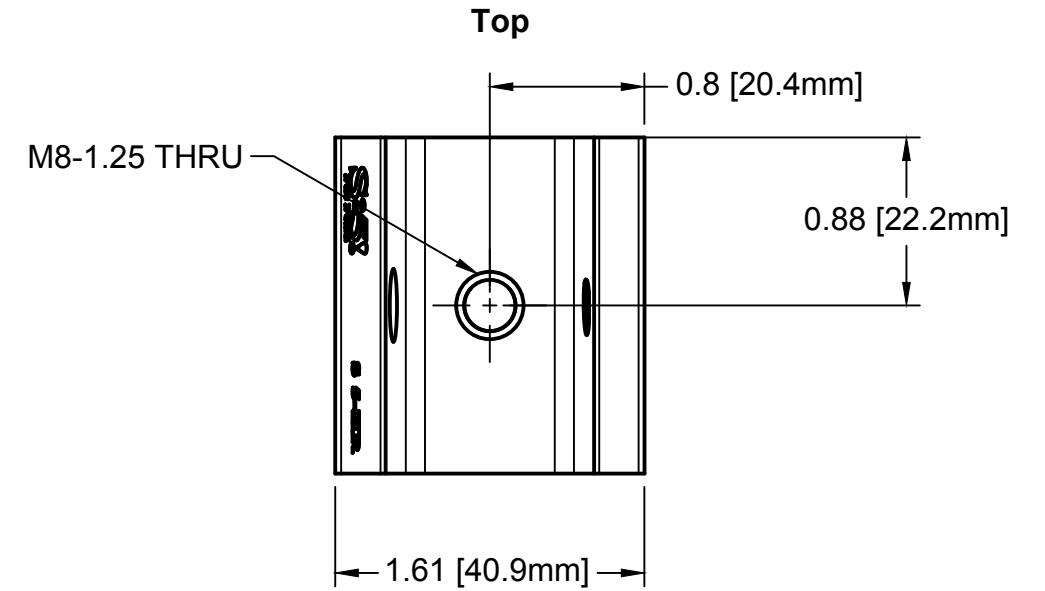
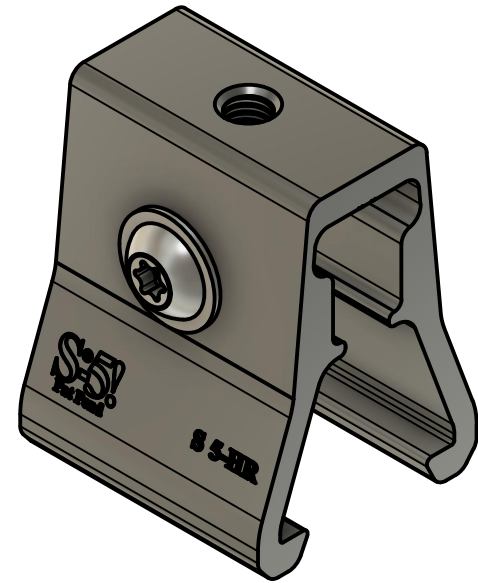
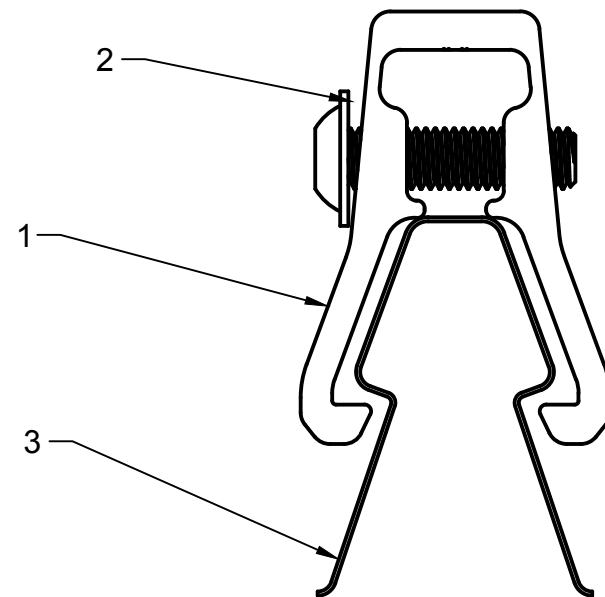


# S-5-HR



**General Notes:**

1. S-5-H
2. 30mm 300 Series Stainless Steel M8 Bolt
3. Example Roof



MATERIAL: 6000 Series Al	<b>S-5!</b> ®		METAL ROOF INNOVATIONS, LTD.	
EST ASSEMBLY WT: 0.18 LB			8750 WALKER RD COLORADO SPRINGS, CO 80908 719-495-0518 719-495-0045 (FAX)	
HARDWARE: 30mm M8 Bolt - T30 DRIVE	TITLE S-5-H [CCD]			
	DRAWING NO. HRPV-A-0-A	DRAWN BY SB	DATE 03/15/2023	
	SCALE 1:1	FILE NAME HRPV-A-0-A (S-5-H) [CCD]		
S-5!® PRODUCTS ARE PROTECTED BY MULTIPLE U.S. AND FOREIGN PATENTS. VISIT OUR WEBSITE AT WWW.S-5.COM FOR COMPLETE INFORMATION ON PATENTS AND TRADEMARKS				