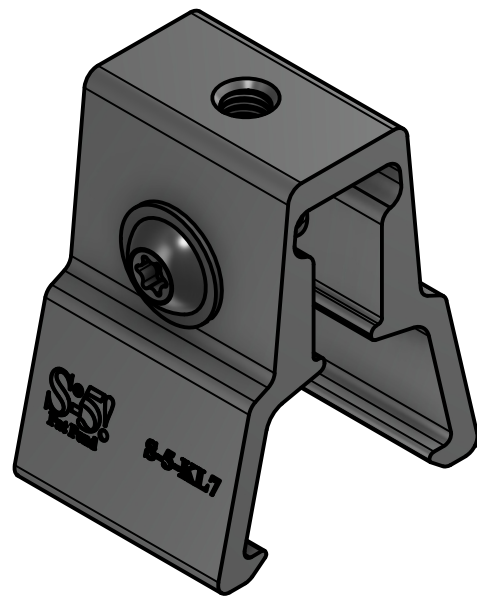
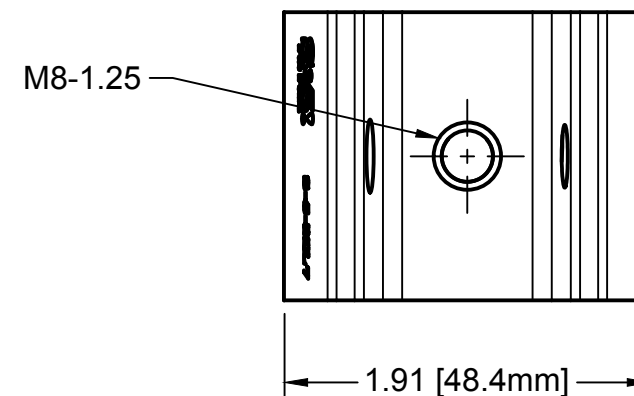


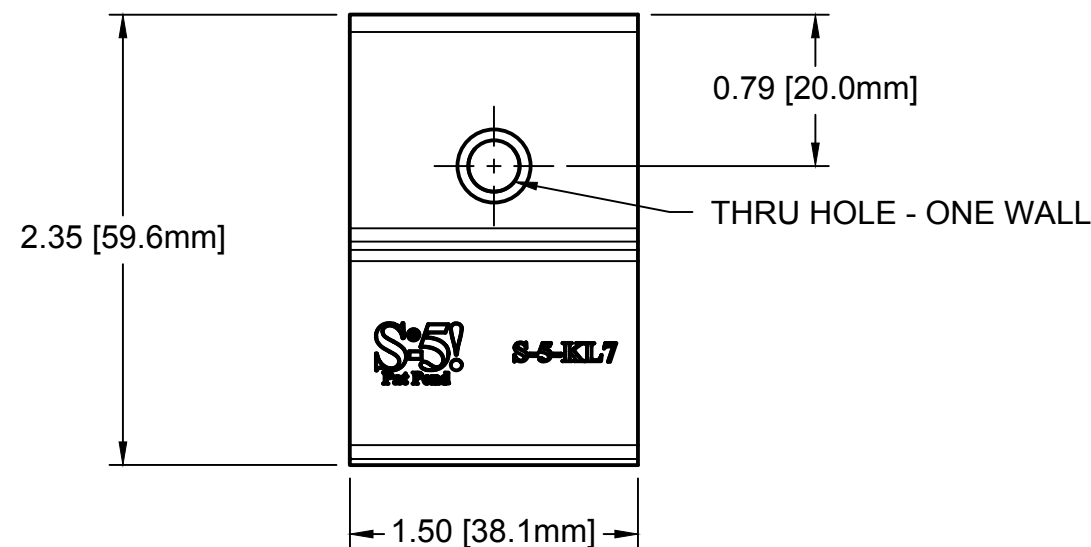
S-5-KL7



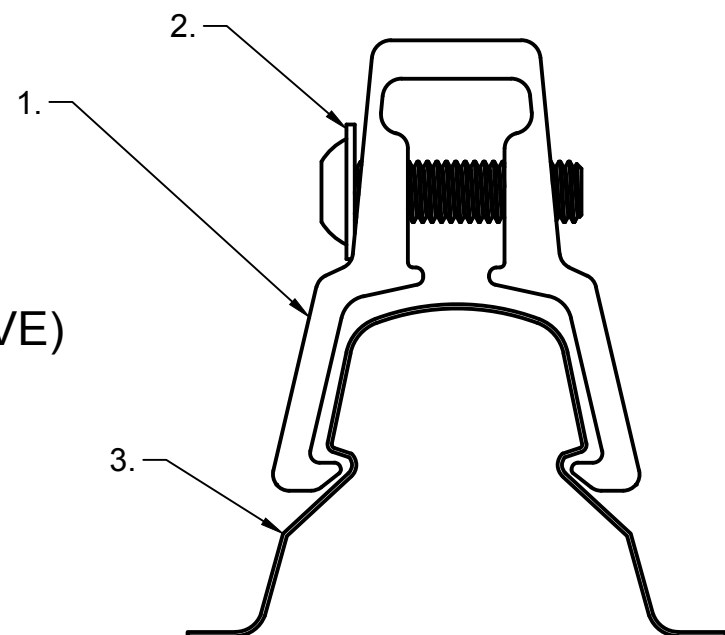
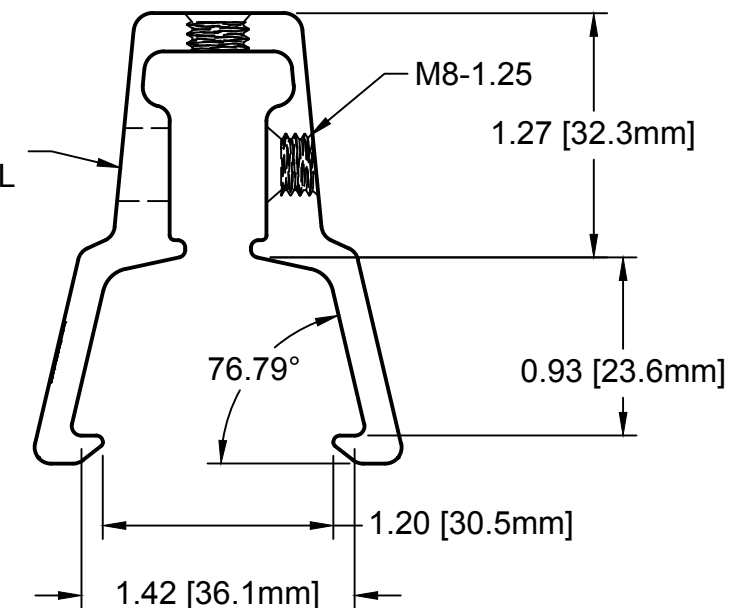
Top



Left



Front



General Notes:

1. S-5-KL7
2. 30mm 304 SS BOLT (T30 DRIVE)
3. Example roof

MATERIAL: 6000 Series Al		METAL ROOF INNOVATIONS, LTD. 8750 WALKER RD COLORADO SPRINGS, CO 80908 719-495-0518 719-495-0045 (FAX)	
EST ASSEMBLY WT: 0.18 LB			
HARDWARE: 30mm M8 Bolt - T30 DRIVE	TITLE S-5-KL7 [CCD]		
	DRAWING NO. KL7-A-0-A	DRAWN BY SB	DATE 10/04/2024
	SCALE 1:1	FILE NAME KL7-A-0-A (S-5-KL7) [CCD]	
S-5!® PRODUCTS ARE PROTECTED BY MULTIPLE U.S. AND FOREIGN PATENTS. VISIT OUR WEBSITE AT WWW.S-5.COM FOR COMPLETE INFORMATION ON PATENTS AND TRADEMARKS			