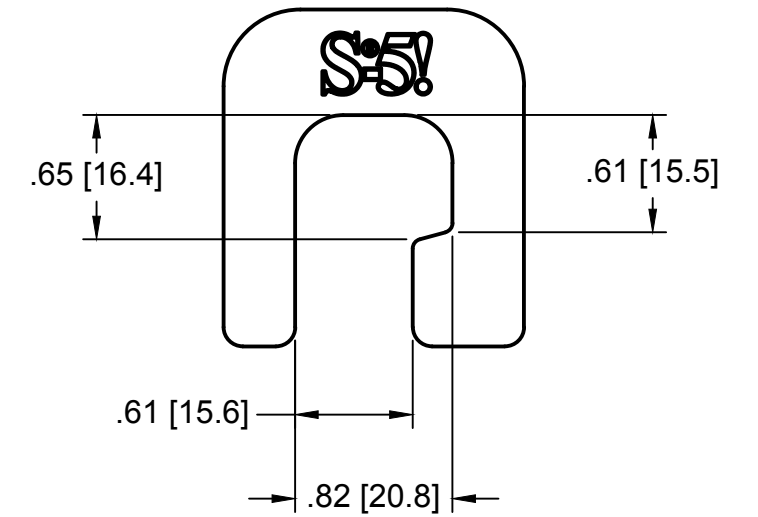
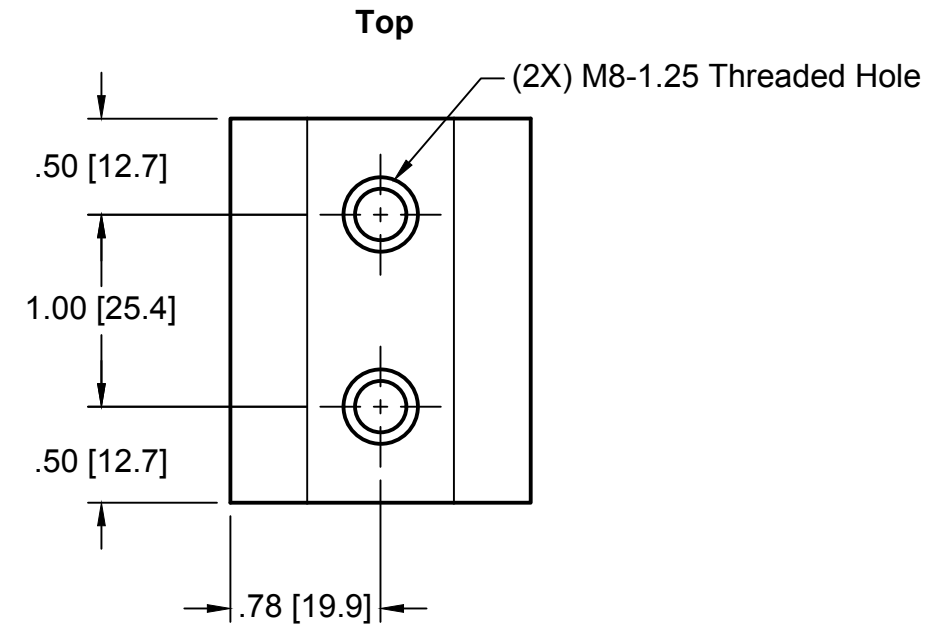
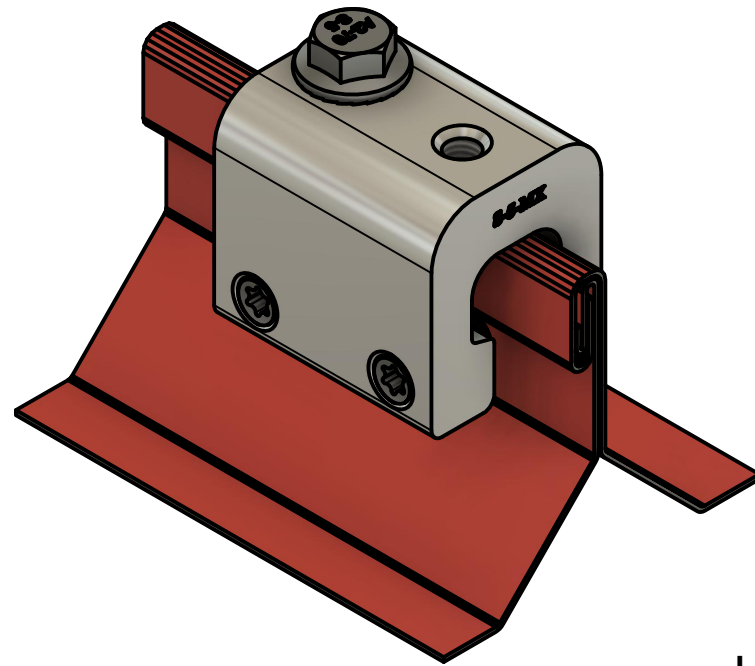
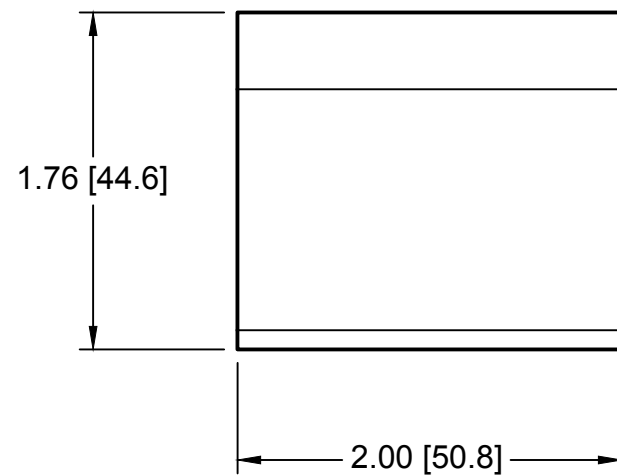


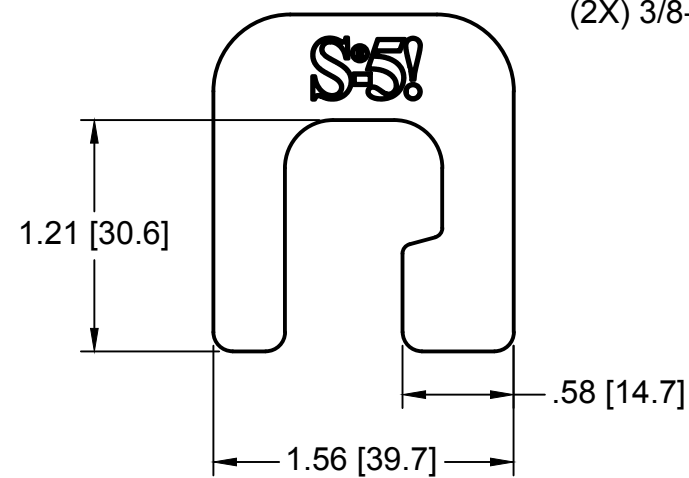
S-5-MX



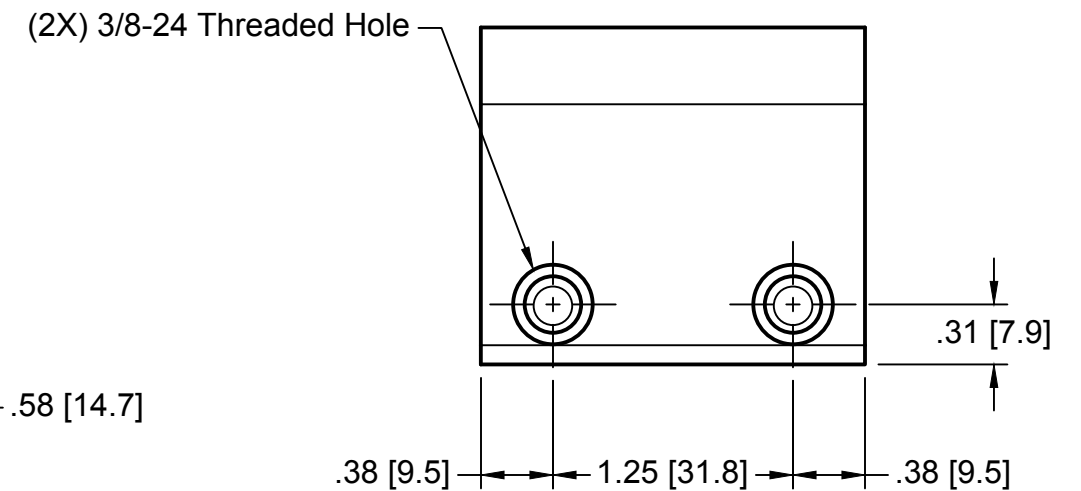
Left



Front

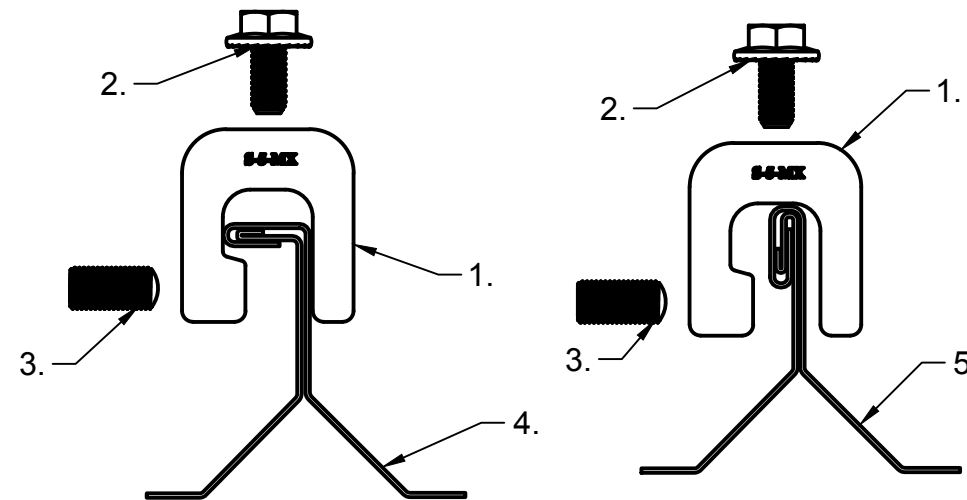


Right



General Notes:

1. S-5-MX
2. M8-1.25 16 mm Bolt
3. 0.9" 3/8-24 T30 Drive SetScrew
4. Example single fold roof
5. Example double fold roof



MATERIAL:
6000 Series AL
EST ASSEMBLY WT:
0.990 lbs
HARDWARE:
M8-1.25 16 mm Bolt, (2X) 0.9" 3/8-24 T30 SetScrew



METAL ROOF INNOVATIONS, LTD.
8750 WALKER RD
COLORADO SPRINGS, CO 80908
719-495-0518
719-495-0045 (FAX)

TITLE S-5-MX [CCD]		
DRAWING NO. KR-C-0-G	DRAWN BY SNLR	DATE 07/18/2022
SCALE 1:1	FILE NAME KR-C-0-G (S-5-MX) [CCD]	

S-5!® PRODUCTS ARE PROTECTED BY MULTIPLE U.S. AND FOREIGN PATENTS.
VISIT OUR WEBSITE AT WWW.S-5.COM FOR COMPLETE INFORMATION ON
PATENTS AND TRADEMARKS