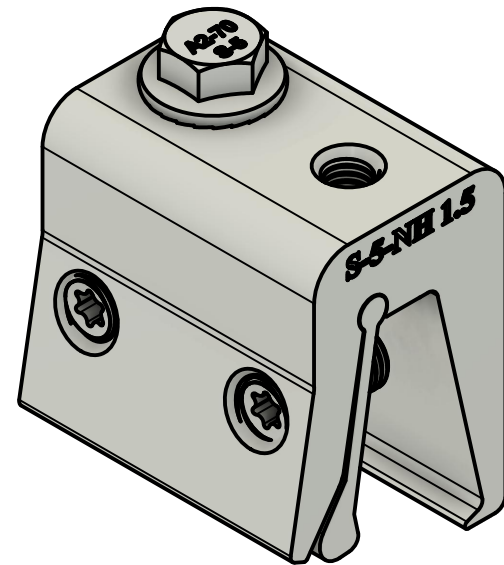
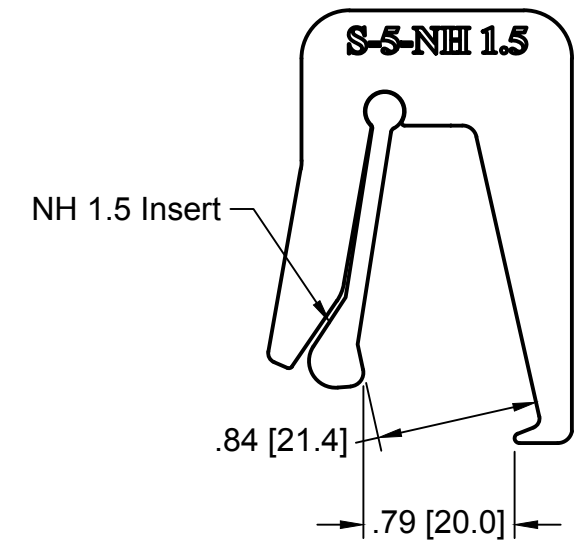
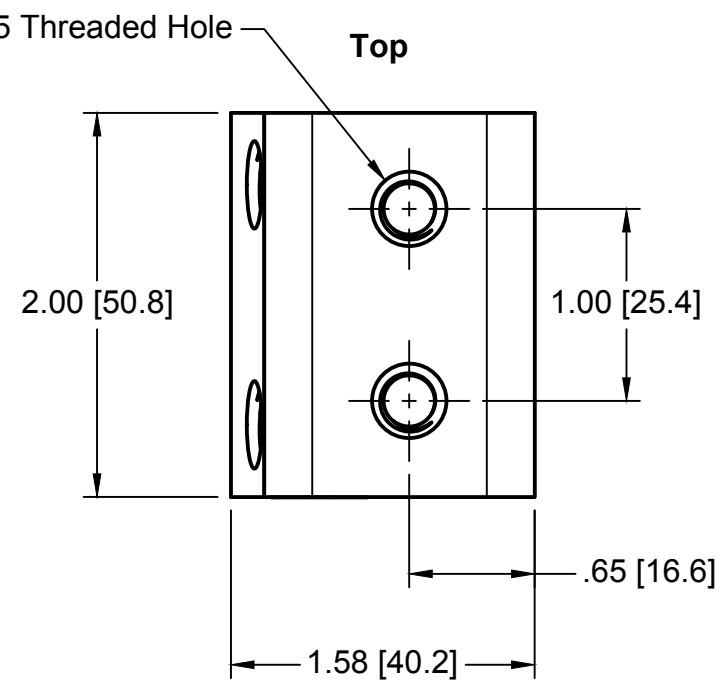


S-5-NH 1.5

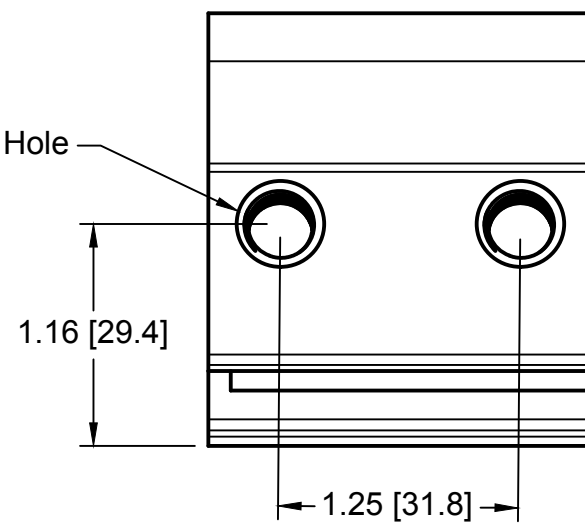


(x2) M8-1.25 Threaded Hole

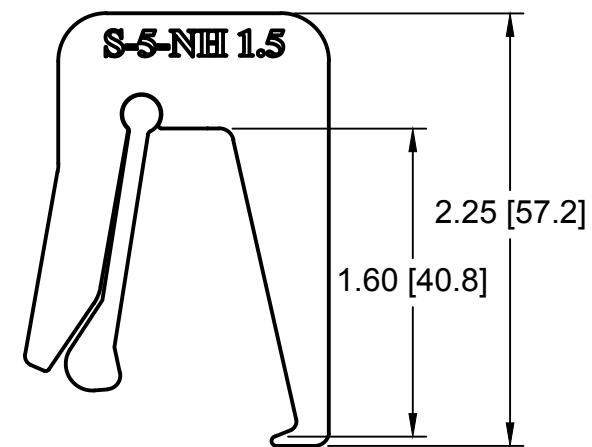


Left

(x2) 3/8-24 Threaded Hole

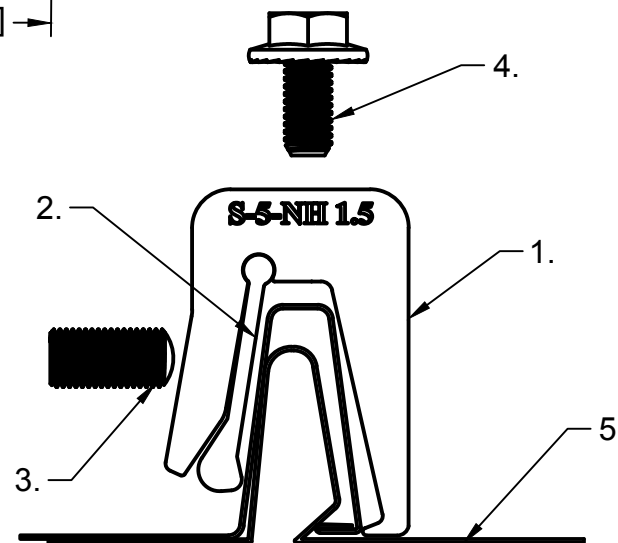


Front



General Notes:

1. S-5-NH 1.5
2. S-5-NH Insert
3. 0.9 3/8-24 T30 Drive SetScrew
4. M8-1.25 16 mm Bolt
5. Example roof



MATERIAL:
6000 Series AL
EST ASSEMBLY WT:
1.084 lbs
HARDWARE:
0.9 3/8-24 T30 Drive Set Screw, M8-1.25 16 mm Bolt



METAL ROOF INNOVATIONS, LTD.
8750 WALKER RD
COLORADO SPRINGS, CO 80908
719-495-0518
719-495-0045 (FAX)

TITLE S-5-NH 1.5 [CCD]
DRAWING NO. NH150-A-0-C DRAWN BY SNLR DATE 3/9/2022
SCALE 1:1 FILE NAME NH150-A-0-C (S-5-NH 1.5) [CCD]

S-5!® PRODUCTS ARE PROTECTED BY MULTIPLE U.S. AND FOREIGN PATENTS.
VISIT OUR WEBSITE AT WWW.S-5.COM FOR COMPLETE INFORMATION ON
PATENTS AND TRADEMARKS