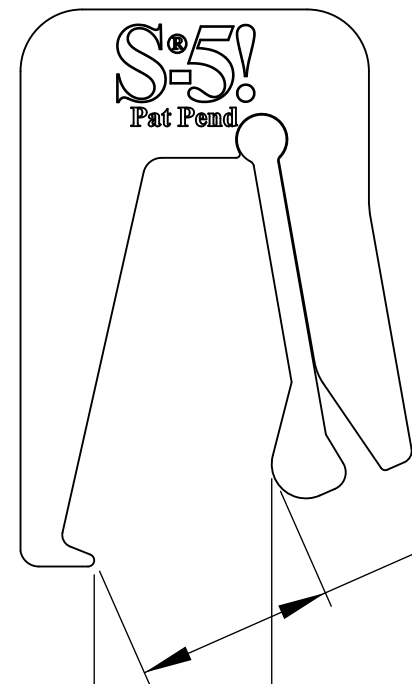


INSERT FLIPPED



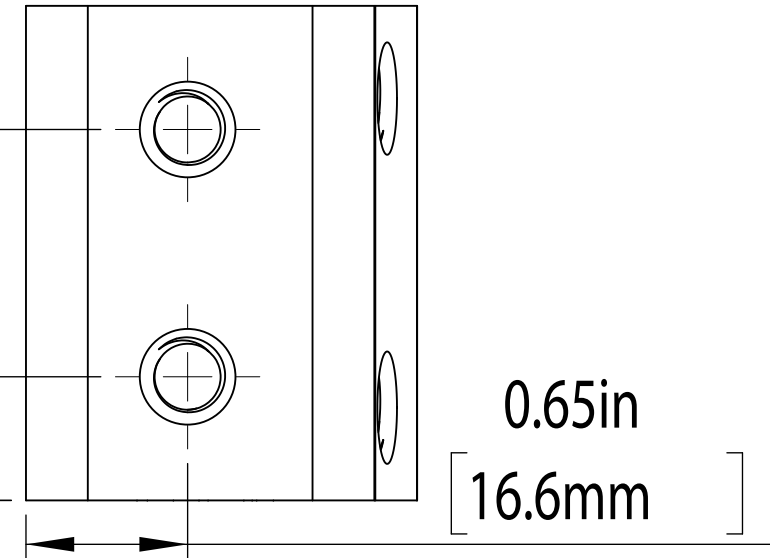
0.80in
[20.3mm]

0.72in
[18.2mm]

1.50in
[38.1mm]

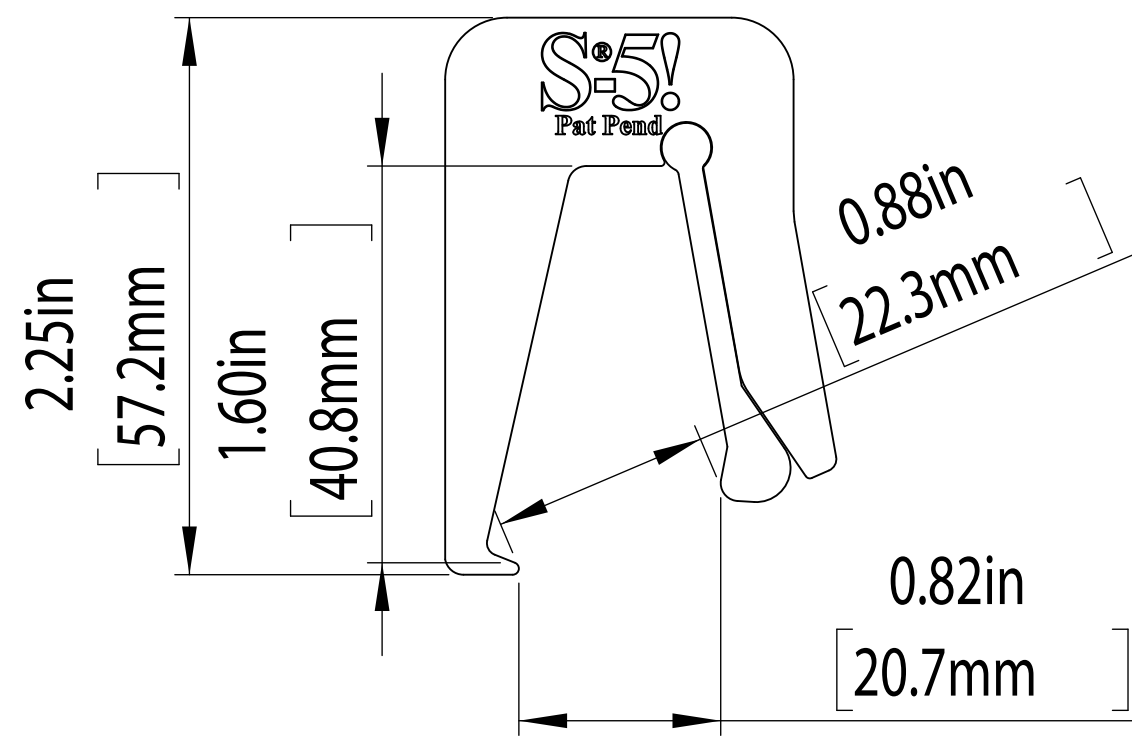
0.50in
[12.7mm]

TOP



0.65in
[16.6mm]

FRONT



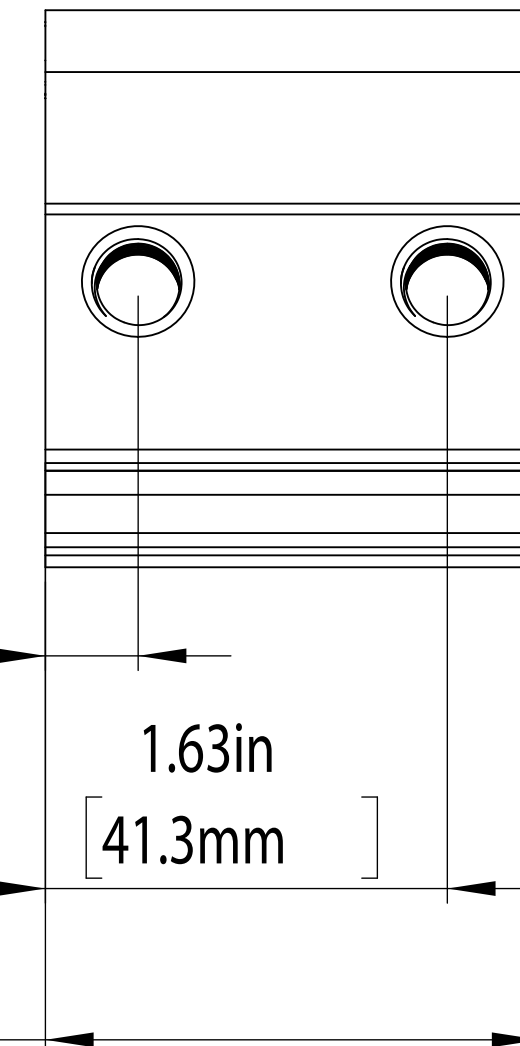
2.25in
[57.2mm]

1.60in
[40.8mm]

0.88in
[22.3mm]

0.82in
[20.7mm]

RIGHT



0.38in
[9.5mm]

1.63in
[41.3mm]

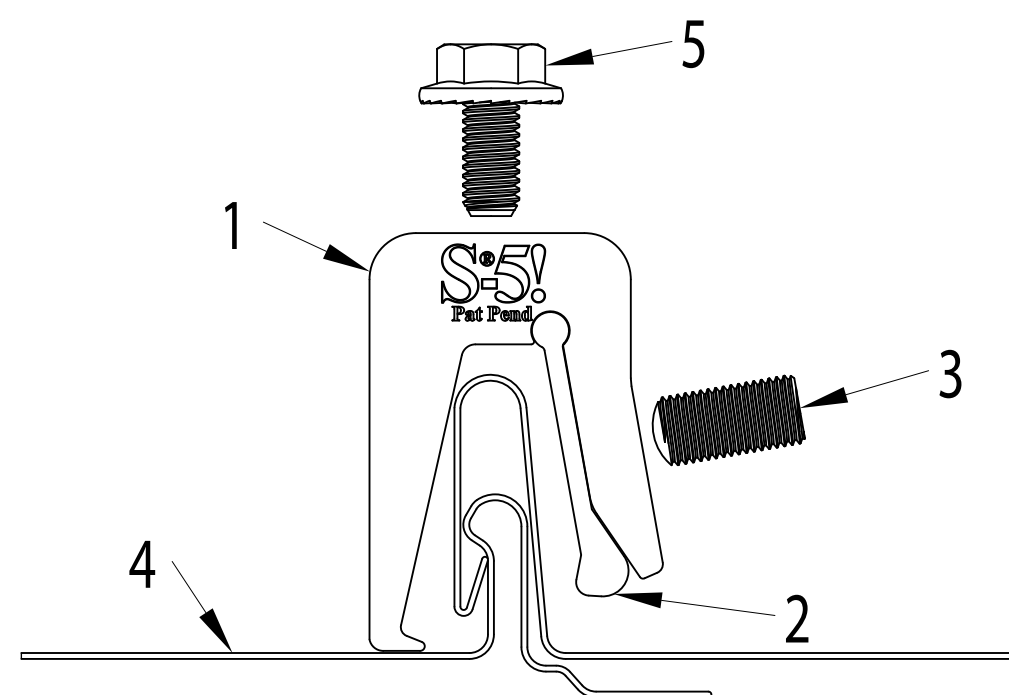
2.00in
[50.8mm]

Important Note: S-5-NH 1.5 is intended for 1.5" tall nail strips that are between 0.475" - 0.80" wide [12 - 21 mm]

Important Note: Insert is intended to bend and the roof material is intended to compress when setscrew is torqued

General Notes:

1. S-5-NH 1.5 Clamp Body
2. S-5-NH 1.5 Insert
3. Round Point Setscrew
4. Example Roof
5. Hex Flange Bolt



FOR STANDING SEAM SPECIFIC MECHANICAL LOAD TEST INFORMATION AND CLAMP INSTALLATION INFORMATION PLEASE VISIT: WWW.S-5.COM

MATERIAL: 6061 T6	S-5! The Right Way!	METAL ROOF INNOVATIONS, LTD. 8655 TABLE BUTTE RD COLORADO SPRINGS, CO 80908 719-495-0518 719-495-0045(FAX)		
EST ASSEMBLY WEIGHT 0.447 lbs [203 kg]		TITLE S-5-NH 1.5 [CCD]	DRAWN BY JW	DATE 9/8/2020
SUPPLIED HARDWARE: M8-1.25x16mm Hex Flange Bolt (2x)3/8-24 x .900" Setscrew SCALE: 2:3	DRAWING NO. NH150-A-0-B	<small>S-5! © PRODUCTS ARE PROTECTED BY MULTIPLE U.S. PATENTS INCLUDING 5,228,248; 5,983,588 AND 6,164,033 (OTHERS ISSUED AND PENDING). EUROPEAN PATENTS ARE ALSO APPLIED FOR AND PENDING UNDER THE PATENT COOPERATION TREATY WITH DIVISIONAL FILING RIGHTS RETAINED. METAL ROOF INNOVATIONS, LTD. (LICENSOR OF S-5! © TECHNOLOGY) AGGRESSIVELY PROSECUTES PATENT INFRINGEMENT.</small>		