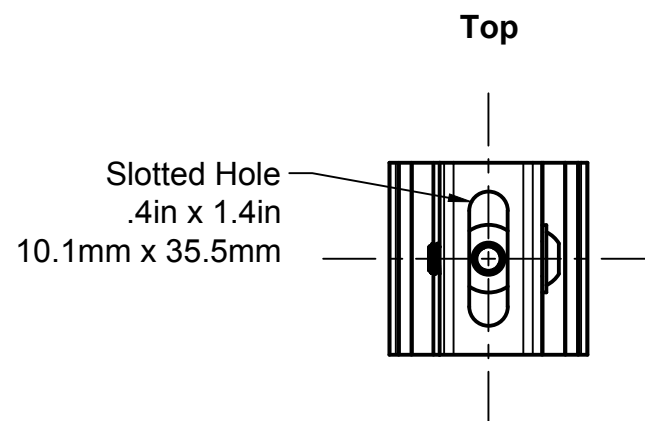


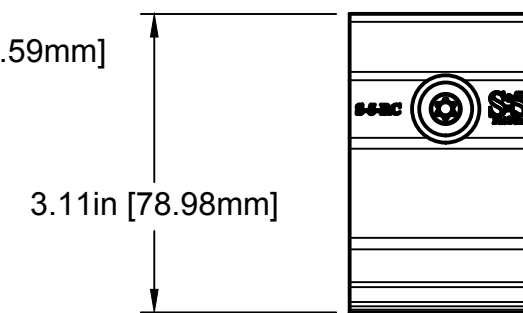
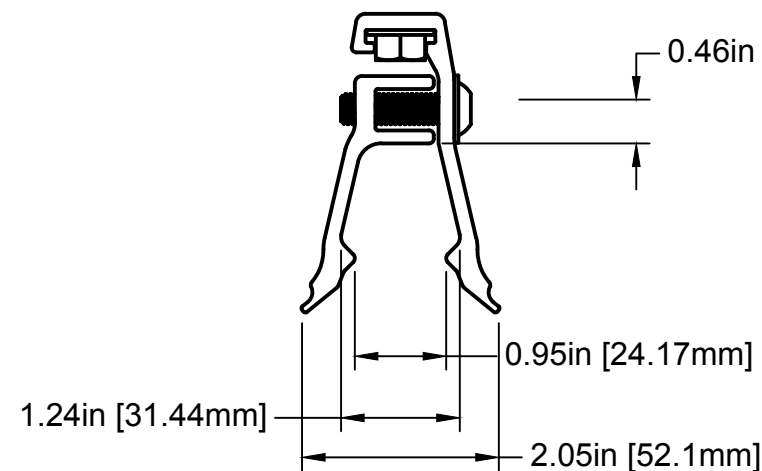
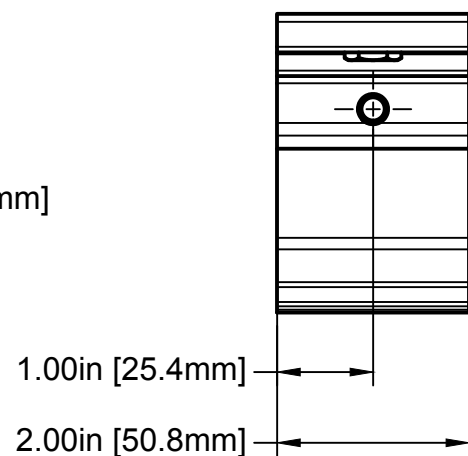
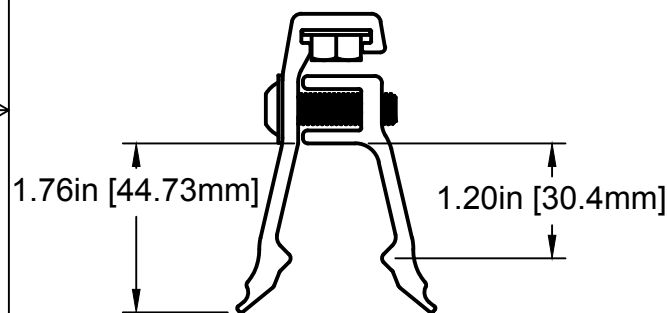
Back



Left

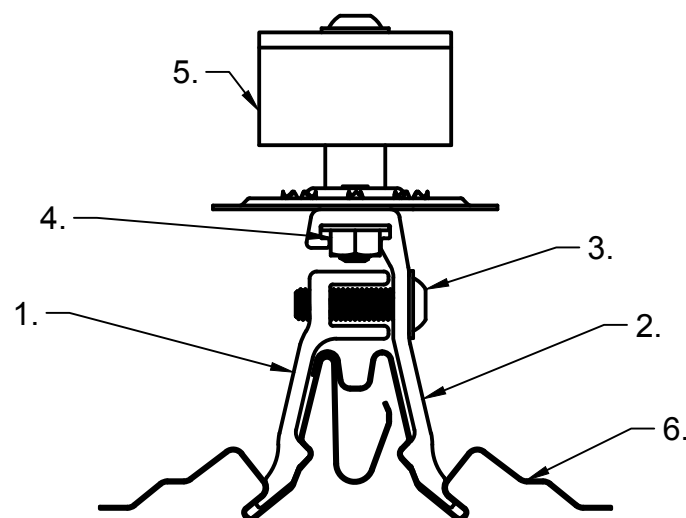
Front

Right



General Notes:

1. RiverClack Left
2. RiverClack Right
3. SetScrew
4. M8 Hex Flang Nut
5. PVKit 2.0
6. Example Roof



MATERIAL: 6005A	S-5! [®]	METAL ROOF INNOVATIONS, LTD. 8750 WALKER RD COLORADO SPRINGS, CO 80908 719-495-0518 719-495-0045 (FAX)	
EST ASSEMBLY WT: 1.212 lbs			
HARDWARE:	TITLE S-5-RC PVKit Assembly		
	DRAWING NO. RCPV-A-0-A	DRAWN BY SNLR	DATE 2/16/2022
	SCALE 1:2	FILE NAME RCPV-A-0-A (S-5-RC PVKit Assembly) [CCD]	
S-5!® PRODUCTS ARE PROTECTED BY MULTIPLE U.S. AND FOREIGN PATENTS. VISIT OUR WEBSITE AT WWW.S-5.COM FOR COMPLETE INFORMATION ON PATENTS AND TRADEMARKS			