



The Right Way™ to attach almost anything to metal roofs!

Installation Instructions



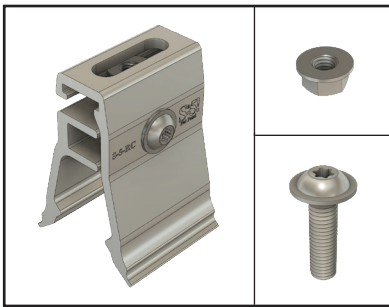
Attention! This document is a guide only. This product may not be suitable for every application. The user is responsible for all necessary applications engineering and design. Please scan the QR code to the right for additional information, warnings and disclaimers regarding product use.

You can also view load test results at www.s-5.com where applicable, or contact your S-5! distributor for more information.

S-5-RC pairs with the S-5! PVKIT® for rail-less solar mounting on Riverclack® roof profiles. It may also be used for other applications subject to user discretion.

What's Included in Your Box

S-5-RC™



Based on 1 Part - Right and Left Components

- 1 – M8 x 30 mm T-30 drive bolt
- 1 – M8 flange nut

Minor Box Qty: 50*

Master Box Qty: 150*

*Broken-box quantities may vary

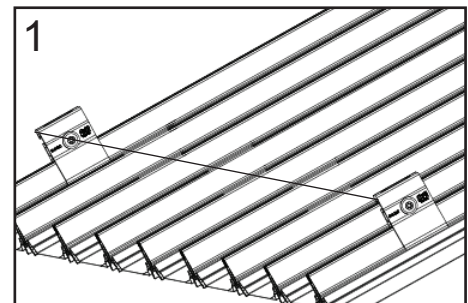
What You'll Need for Installation

- Screw Gun
- String line
- Tape measure
- T30 Torx Bit Tip (provided)

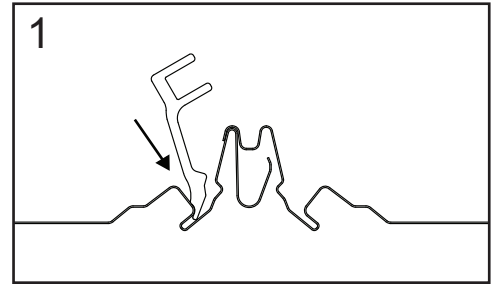
How to Install the S-5-RC

The S-5-RC has two halves that bolt together. (Orientation is not critical). Each half of the clamp is designed to engage the panel's geometry.

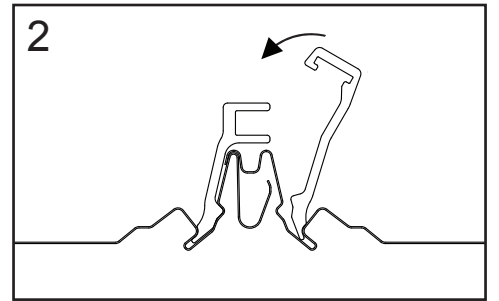
For solar PV installations, determine the location of your first row of clamps. To ensure a straight line, install a single S-5-RC on each end of the roof at a measured, consistent distance from the eave or ridge of the roof. Use a string line between the two clamps as a guide to ensure the remaining RC clamps create a straight row square to the ribs of the roof.



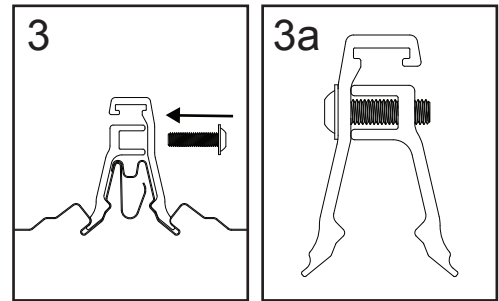
1. Begin by inserting the toe of one side into the channel adjacent to the seam. Rotate the clamp part toward the seam to create an interlock between the toe and the panel. It is important to ensure the toe is fully inserted into the channel. **(Fig 1)**



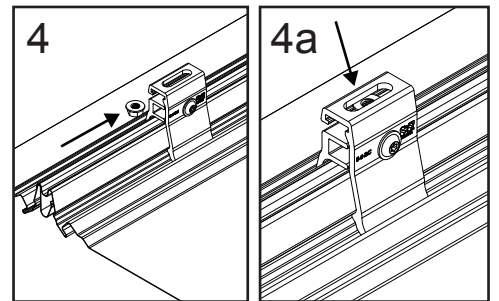
2. Repeat this process with the other half of the clamp and bring the two halves together. **(Fig 2)**



3. Insert the included M8 bolt **(Fig 3)** and tighten until mating surfaces are in full contact, then 1/2 turn more **(Fig 3a)**. This will result in a torque of $180 \pm$ inch pounds ($20 \pm$ Nm). The two halves of the RC clamp will compress the seam slightly but will not harm it.



4. From either end of the S-5-RC, insert the included M8-1.25 hex flange nut (flange side up) into the nut channel. **(Fig 4 & Fig 4a)** The clamp is now ready to add the PVKIT by insertion of the stud through the slot and engaging the hex flange nut below. **(Fig 4b)** For attachment of other rooftop ancillaries, use a standard M8 bolt** through the slotted top thru-hole and the previously inserted hex flange nut.

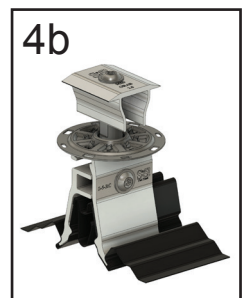


**Various length M8 bolts may be ordered separately from S-5!

Once installed correctly, the mechanical connection established with this clamp requires no maintenance, or torque re-inspection for the life of the roof.

NOTE: Any S-5! warranty and/or calculation may be void if hardware is used that was not furnished by S-5! directly or through one of their licensed distributors or any assembly that has not been tested by S-5!

These instructions are for use by those experienced in the trade. Always follow appropriate safety precautions and use appropriate tools.



S-5!® Warning! Please use this product responsibly!

Products are protected by multiple U.S. and foreign patents. For published data regarding holding strength, fastener torque, patents and trademarks, visit the S-5! website at www.S-5.com. Copyright 2023, Metal Roof Innovations, Ltd. S-5! products are patent protected. S-5! aggressively protects its patents, trademarks and copyrights. S-5-RC-V1.0-0323