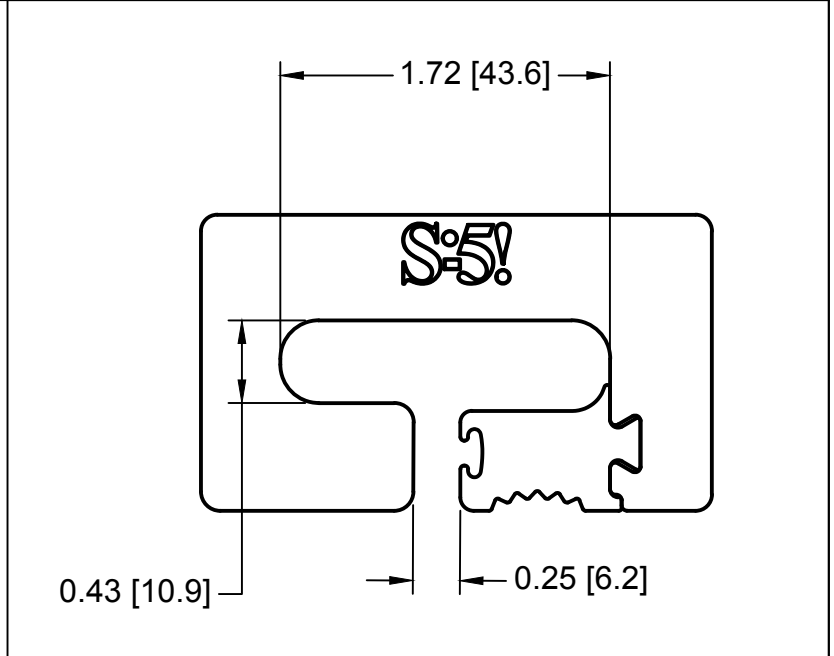
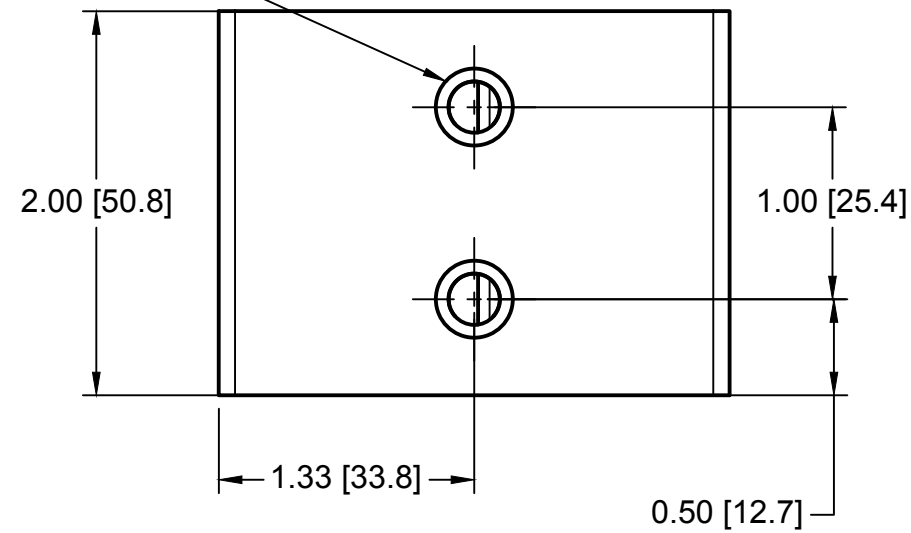


**S-5-TXL**

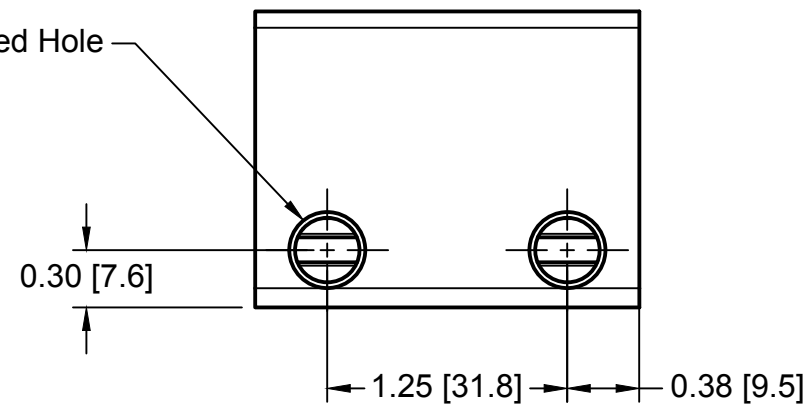
(2x) M8-1.25 Threaded Hole

Top

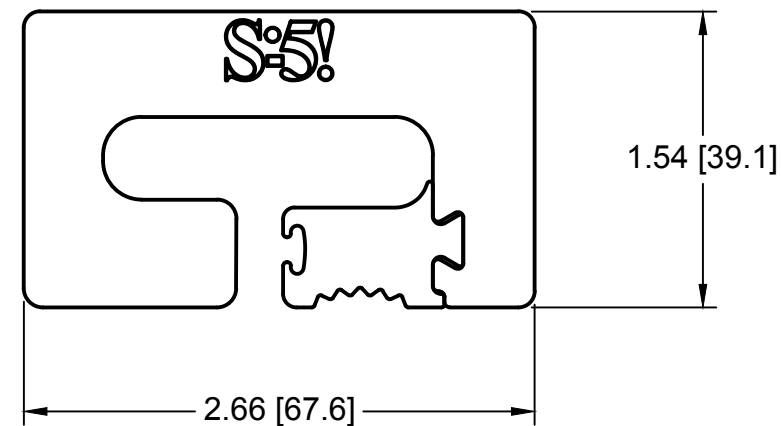


Left

(2x) 3/8-24 Threaded Hole

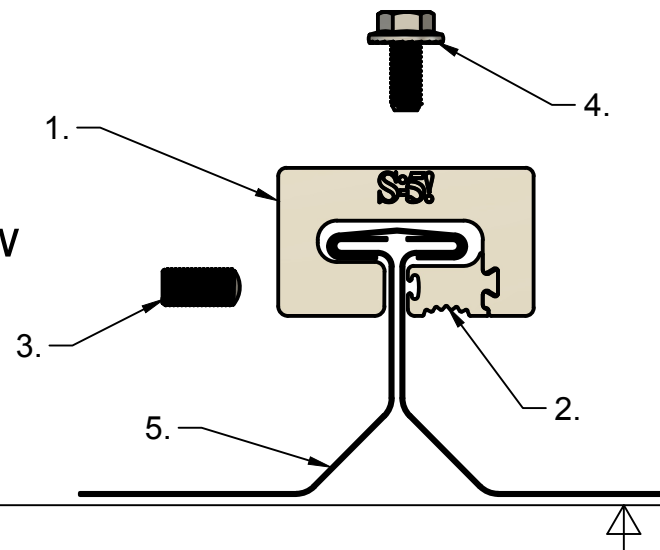


Front



**General Notes:**

1. S-5-TXL
2. S-5-TXL Insert
3. 0.9" 3/8-24 T30 Drive SetScrew
4. M8-1.25 X 17mm (13mm/T30 Torx Drive)
5. Example Roof



MATERIAL:  
6000 Series Al  
EST ASSEMBLY WT:  
0.66 lb  
HARDWARE:  
© 1997 3/8-24 T30 Drive SetScrew M8-1.25 Torx Drive Bit



METAL ROOF INNOVATIONS, LTD.  
8750 WALKER RD  
COLORADO SPRINGS, CO 80908  
719-495-0518  
719-495-0045 (FAX)

TITLE S-5-TXL [CCD]		
DRAWING NO. TXL-A-0-A	DRAWN BY SB	DATE 09-11-24
SCALE 1:1	FILE NAME TXL-A-0-A (S-5-V) [CCD]	

S-5!® PRODUCTS ARE PROTECTED BY MULTIPLE U.S. AND FOREIGN PATENTS.  
VISIT OUR WEBSITE AT [WWW.S-5.COM](http://WWW.S-5.COM) FOR COMPLETE INFORMATION ON  
PATENTS AND TRADEMARKS