

S-5![®]

The Right Way

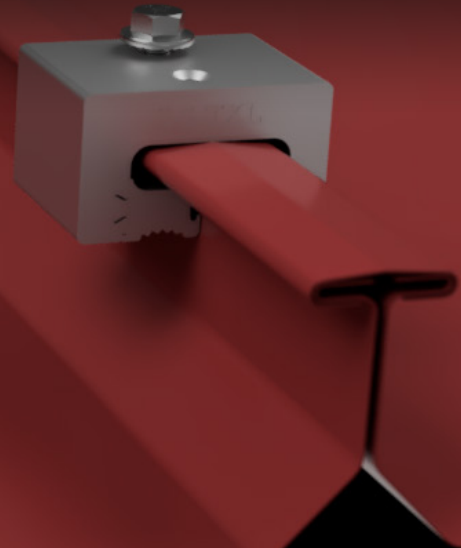
S-5-TXL[™]

RELIABLE SOLUTION FOR HEAVY-DUTY APPLICATIONS

Engineered and rigorously tested to meet the highest standards of heavy-duty snow retention and high-wind applications, the S-5-TXL clamp is specially designed for the McElroy Metal Trap-Tee standing seam roof, as well as the Morin[®] SymmeTry[®] system. The larger throat design of the TXL is perfect for larger T-shaped profiles and ensures the safety and durability of your snow retention system.

The TXL has an innovative insert that slides into place and provides backing for the setscrews to dimple the roofing material, allowing the clamp to achieve a secure attachment that will hold strong, even in heavy snow and high winds. Installation is simple. The zero-penetration clamp design eliminates the chance of leaks and keeps the roof's warranty intact.

When reliable attachment is critical to the success of a building's heavy-duty snow retention system, the TXL is the ultimate solution.



S-5-TXL[™]

The Right Way[™] to attach almost anything to metal roofs!

Features & Benefits

- 6000 Series aluminum
- No penetration of the roof panel; leaves manufacturer warranty intact
- For McElroy Metal Trap-Tee and Morin SymmeTry
- Optimal performance in heavy-duty snow retention and high-wind applications
- Innovative insert slides into place, providing unmatched holding strength

888-825-3432 | www.S-5.com |  Made in USA

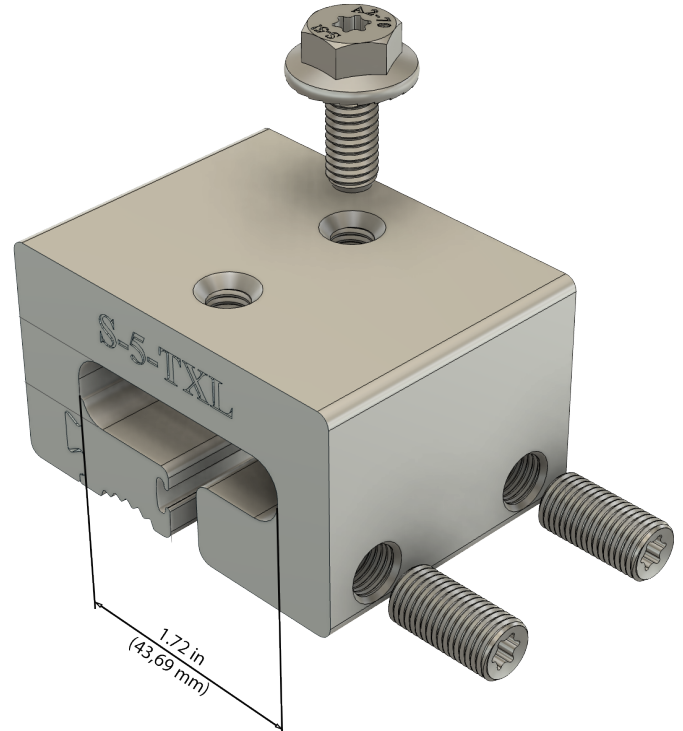
The S-5-TXL is a reliable solution for heavy-duty snow retention.

The S-5-TXL has a larger throat design and is ideal for attaching snow retention systems to larger T-shaped metal roof profiles.

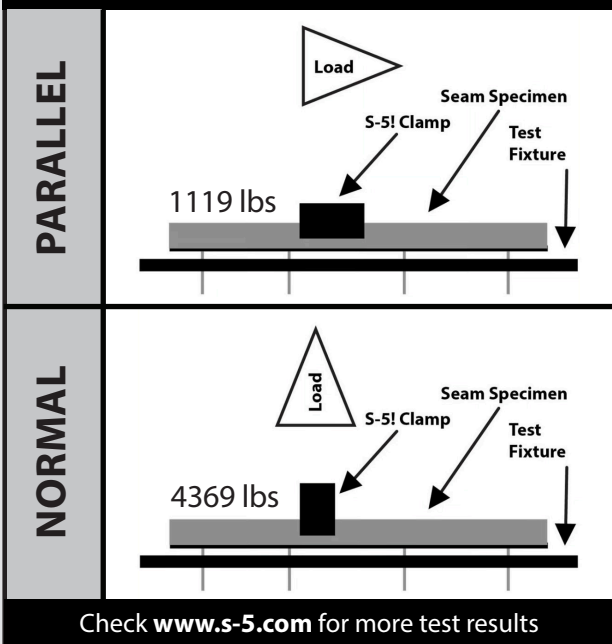
The S-5-TXL is supplied with the hardware shown to the right. Each box also includes a bit tip for tightening setscrews using an electric screw gun. The S-5-TXL is an aluminum attachment clamp, compatible with most common metal roofing materials (excluding copper). All included hardware is 300 series stainless steel. Please visit www.S-5.com for more information including CAD details, metallurgical compatibilities and specifications.

S-5![®] holding strength is unmatched in the industry.

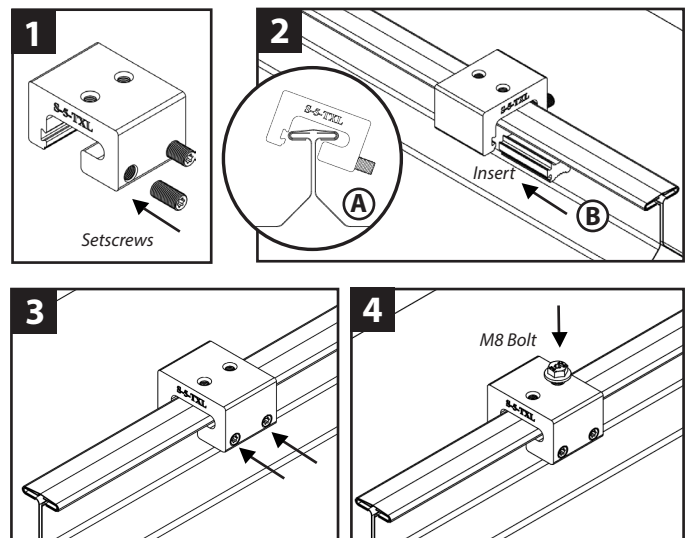
S-5-TXL™



ULTIMATE HOLDING STRENGTH ON MCELROY METAL TRAP-TEE 24 GA. STEEL:



Easy Installation!



S-5![®] Warning! Please use this product responsibly!

Products are protected by multiple U.S. and foreign patents. Visit the website at www.S-5.com for complete information on patents and trademarks. For maximum holding strength, setscrews should be tensioned and re-tensioned as the seam material compresses. Clamp setscrew tension should be verified using a calibrated torque wrench between 160 and 180 inch pounds when used on 22 ga steel, and between 130 and 150 inch-pounds for all other metals and thinner gauges of steel. Consult the S-5! website at www.S-5.com for published data regarding holding strength.

Copyright 2024, Metal Roof Innovations, Ltd. S-5! products are patent protected. S-5! aggressively protects its patents, trademarks and copyrights. Version 091124.

Distributed by