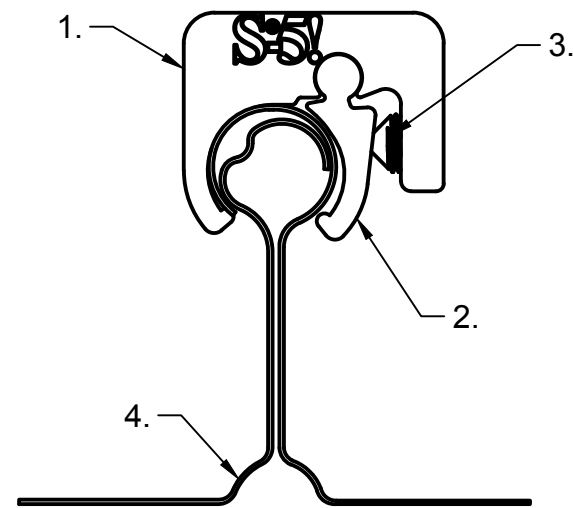
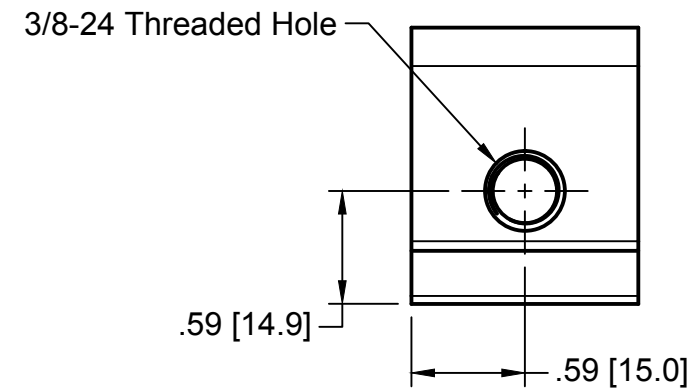
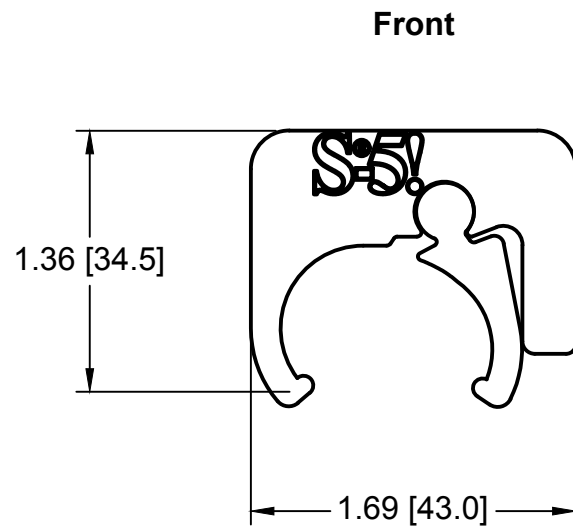
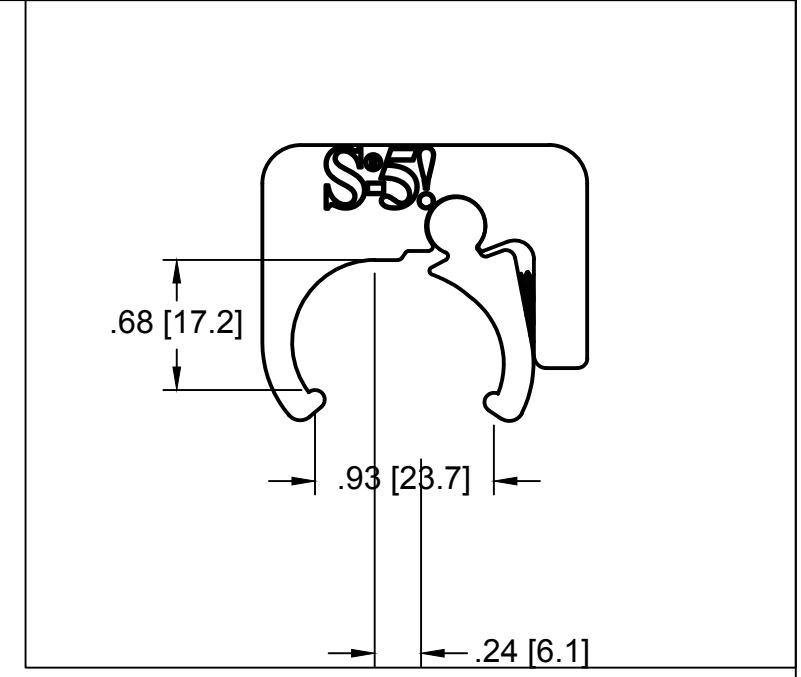
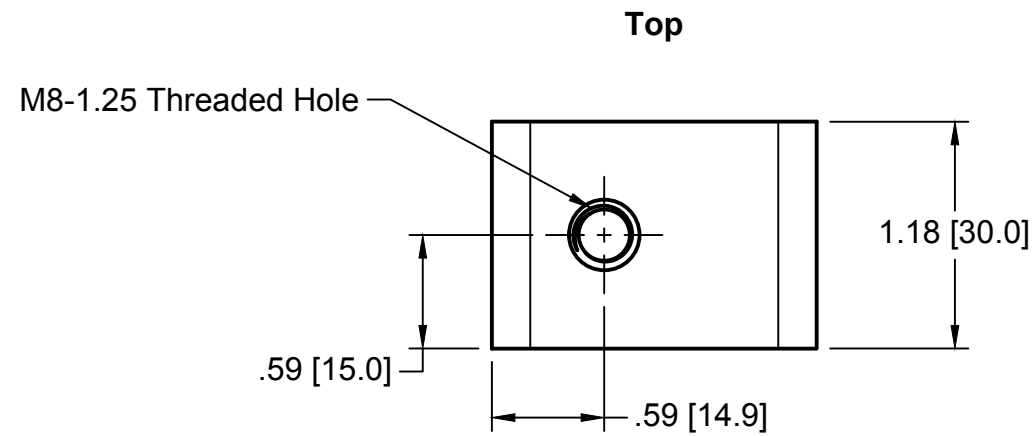
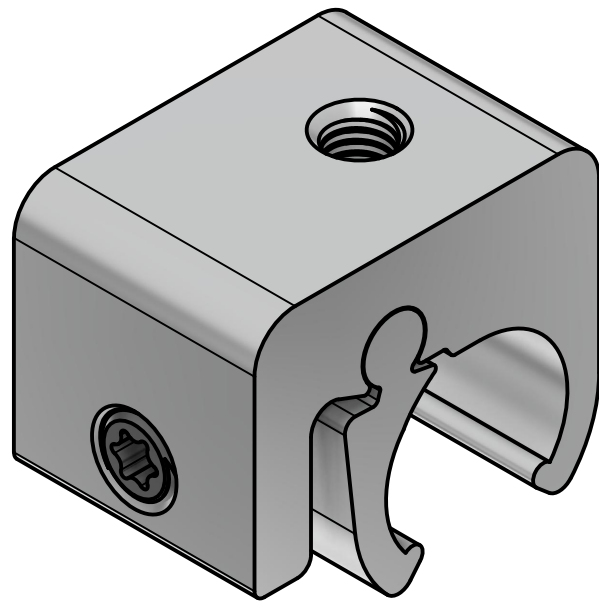


# S-5-ZH Mini



## General Notes:

1. S-5-ZH Mini
2. S-5-ZH Mini Hinge
3. 0.5" 3/8-24 T30 Drive Cone Point SetScrew
4. Example roof

MATERIAL: 6000 Series AL			METAL ROOF INNOVATIONS, LTD.	
EST ASSEMBLY WT: 0.492 lbs			8750 WALKER RD COLORADO SPRINGS, CO 80908 719-495-0518 719-495-0045 (FAX)	
HARDWARE: 0.9" 3/8-24 T30 Drive SetScrew	TITLE S-5-ZH MINI [CCD]			
	DRAWING NO. ZH-A-1-D	DRAWN BY SNLR	DATE 3/4/2022	
	SCALE 1:1	FILE NAME ZH-A-1-D (S-5-ZH MINI) [CCD]		
S-5!® PRODUCTS ARE PROTECTED BY MULTIPLE U.S. AND FOREIGN PATENTS. VISIT OUR WEBSITE AT WWW.S-5.COM FOR COMPLETE INFORMATION ON PATENTS AND TRADEMARKS				